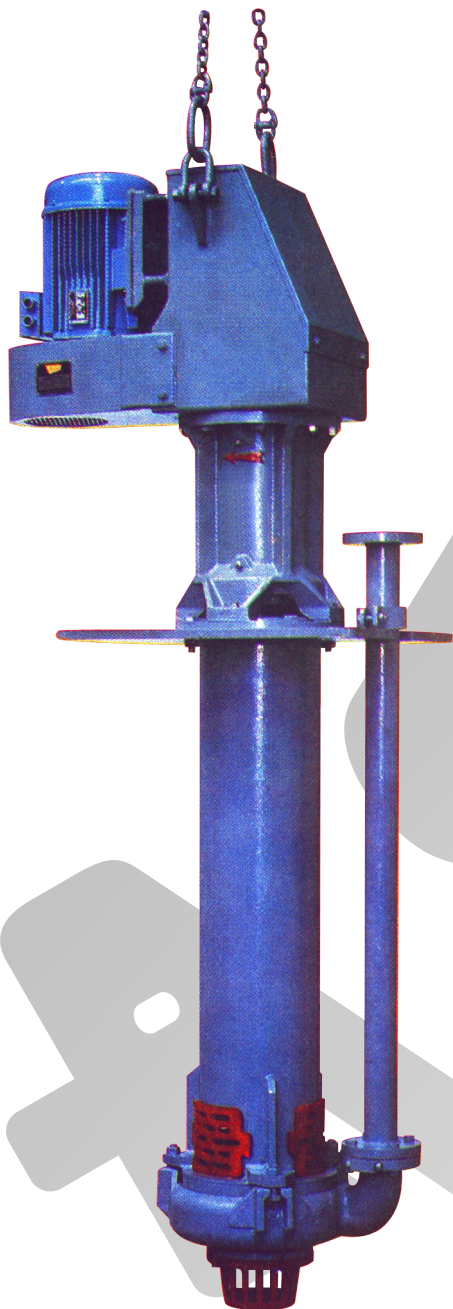




SP & SPR Submersible Sump Pump



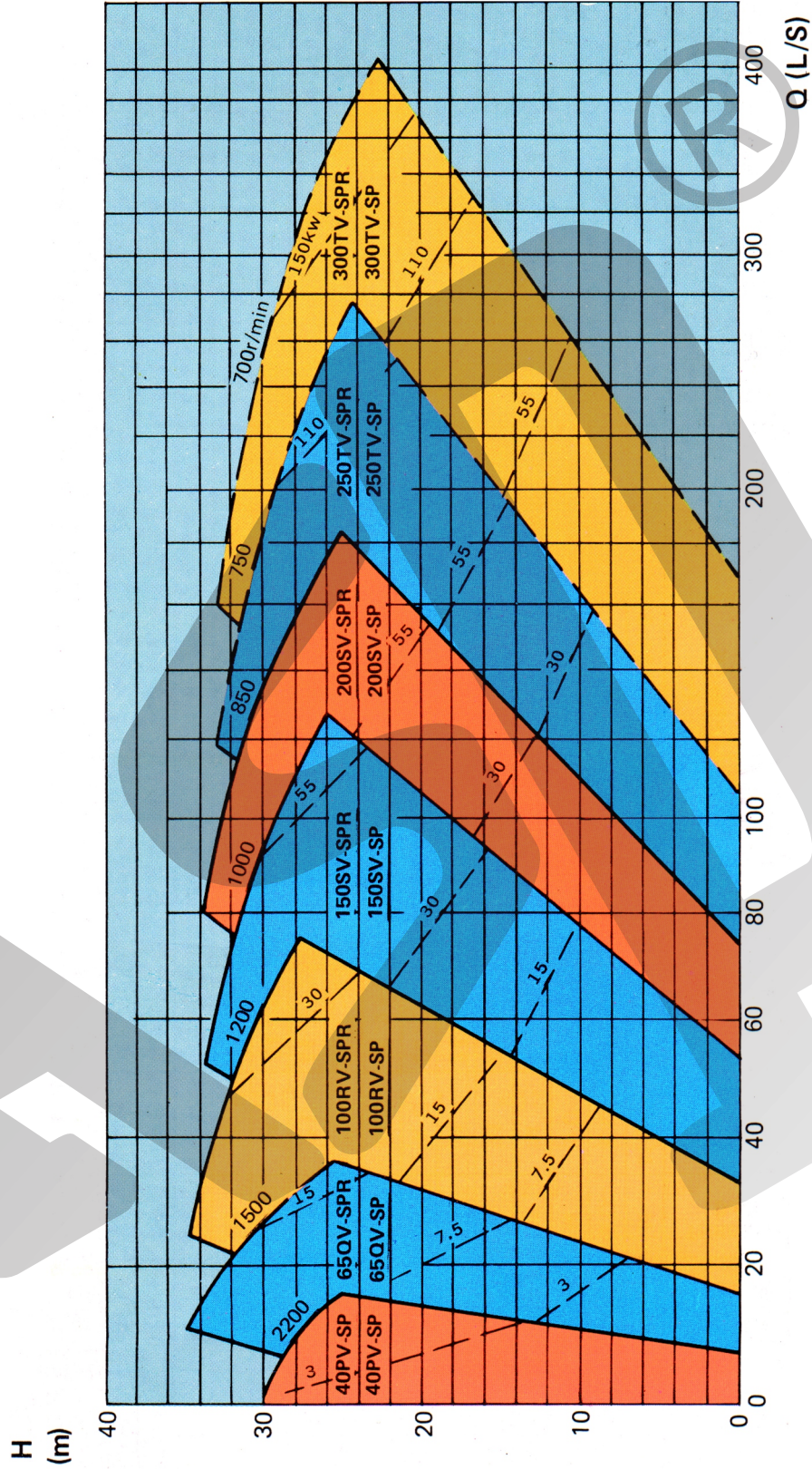
APPLICATIONS & FEATURES

SP and SPR pumps are vertical, centrifugal slurry pumps submerged in sump to work. They are designed for delivering abrasive, large particle and high density slurries. These pumps have no need of any shaft seal and sealing water. They can also be operated normally for insufficient suction duties.

The pump casing of SP pumps are made of wear-resistant metal and the impellers are made of wear-resistant metal, rubber or polyurethane.

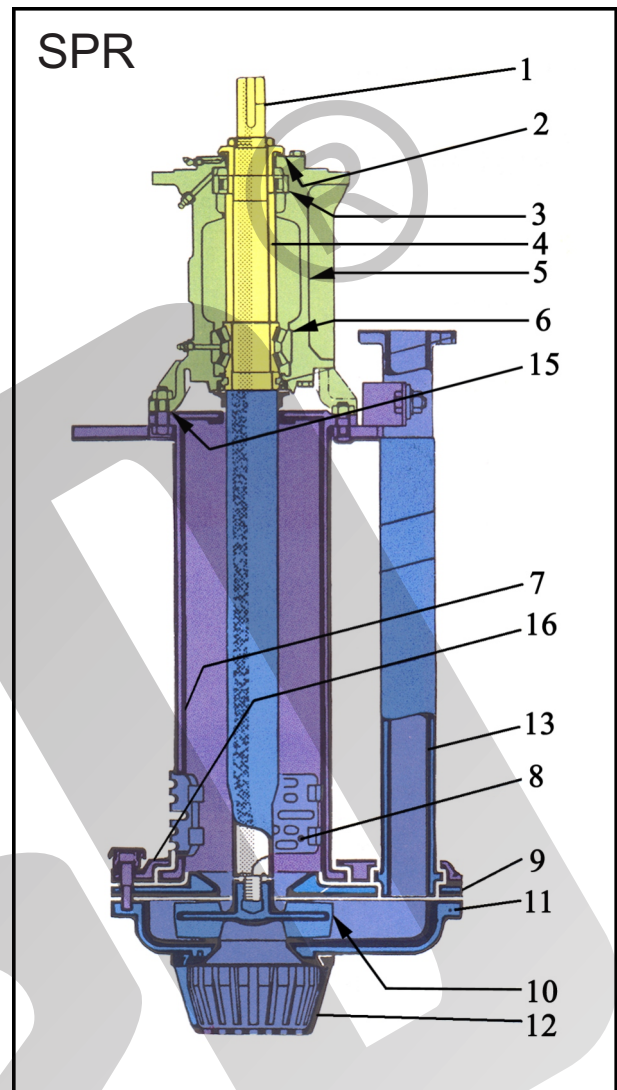
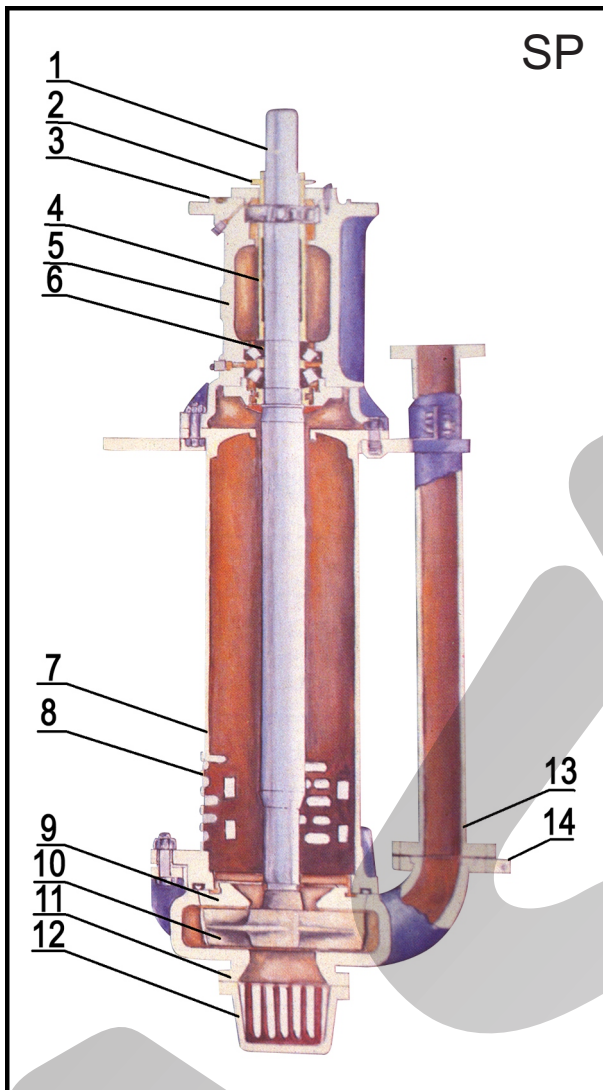
All parts submerged in sump for SPR pumps have rubber liners to be suitable for delivering corrosive slurries.

SELECTION PERFORMANCE CURVE CHART



Note: Approximate performance for clear water, to be used for preliminary selection only.

CONSTRUCTIONAL DRAWING



SP Series-All metal for abrasive duty.

SPR Series-Elastomer protected for acid / abrasive duty.

- 1. SHAFT
- 2. LABYRINTH
- 3. BEARING
- 4. BEARING SPACER
- 5. BEARING HOUSING
- 6. BEARING
- 7. COLUMN
- 8. STRAINER

- 9. BACK LINER
- 10. IMPELLER
- 11. PUMP CASING
- 12. LOWER STRAINER
- 13. DISCHARGE PIPE
- 14. SPLIT DISCHARGE FLANGE
- 15. SHIM SET
- 16. COLUMN CLAMP

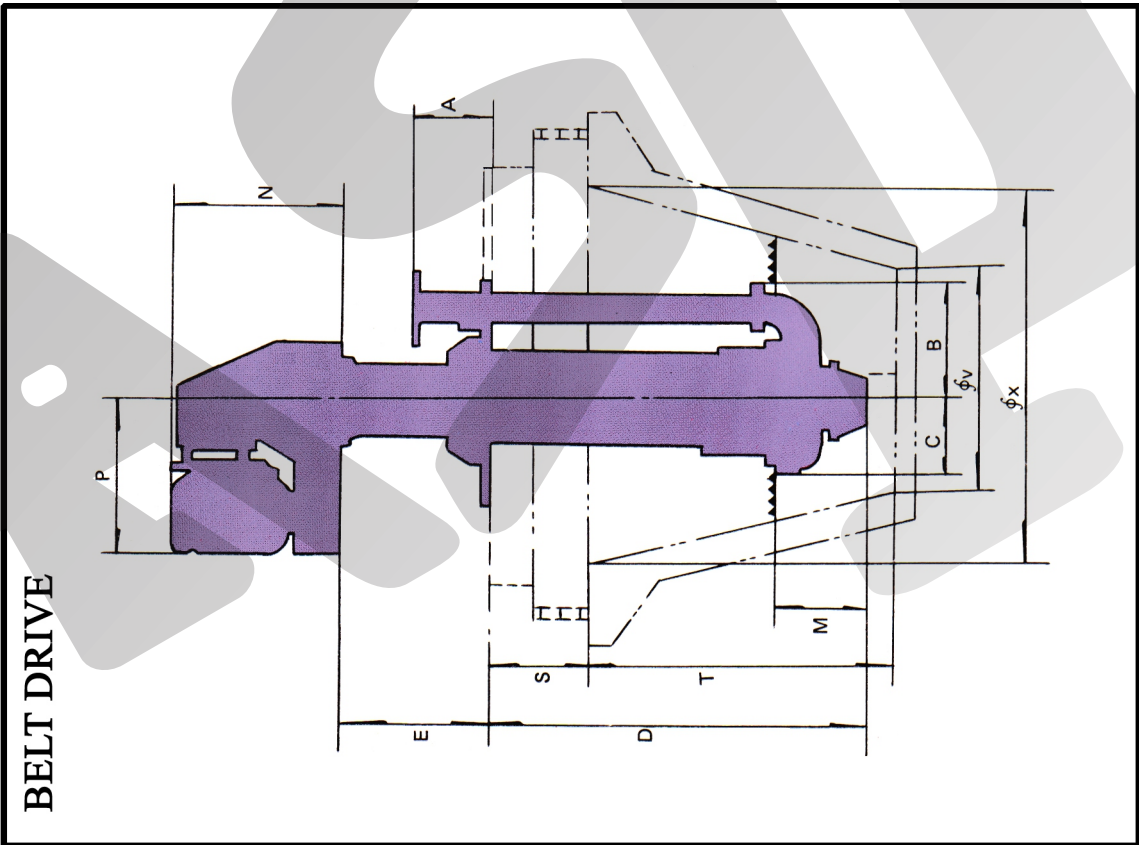
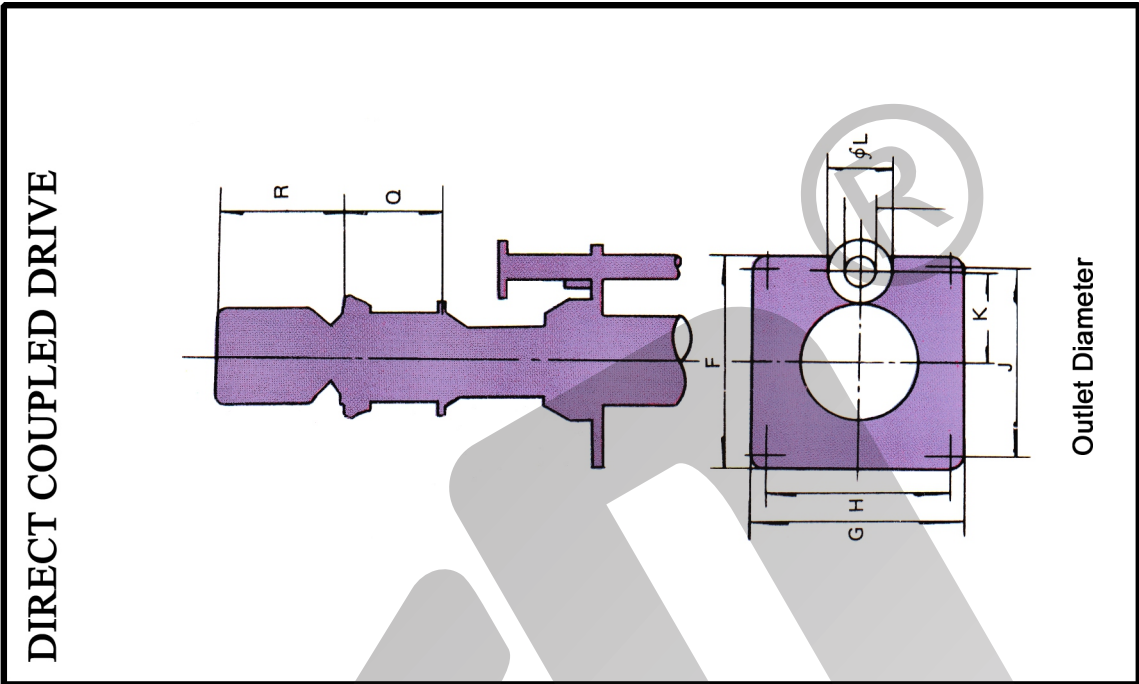


SP & SPR SUBMERSIBLE SUMP PUMP

SPECIFICATION DATA

No.	Model	Max. Power (kw)	Material		Capacity		Head (m)	Speed (rpm)	Max. Efficiency η (%)	No. of Vane	Impeller Diameter (mm)
			Protecting Bush	Impeller	(m ³ /h)	(L/s)					
1	40 PV - SP	15	M	M / PU	19.44 ~ 43.2	5.4 ~ 12	4.5 ~ 28.5	1000 ~ 2200	40	5	188
2	40 PV - SPR		RU	RU	17.28 ~ 39.6	4.8 ~ 11	4 ~ 26				
3	65 QV - SP	30	M	PU	23.4 ~ 111	6.5 ~ 30.8	5 ~ 29.5	700 ~ 1500	50	5	280
4	65 QV - SP		M	M	19.8 ~ 93.06	5.5 ~ 25.85	5 ~ 29.5				
5	65 QV - SP		M	M	24.3 ~ 87.12	6.75 ~ 24.2	5.5 ~ 31.5				
6	65 QV - SP		M	M	24.3 ~ 114.8	6.75 ~ 31.9	5 ~ 30				
7	65 QV - SPR		RU	RU	22.5 ~ 105	6.25 ~ 29.15	5.5 ~ 30.5				
8	65 QV - SP		M	M	18.9 ~ 89.1	5.25 ~ 24.75	5 ~ 28				
9	100 RV - SP	75	M	PU	56.7 ~ 221.76	15.75 ~ 61.6	4.5 ~ 34.5	500 ~ 1200	56	5	370
10	100 RV - SPR		RU	PU	64.8 ~ 285	18 ~ 79.2	7.5 ~ 36				
11	100 RV - SP		M	M	54 ~ 289	15 ~ 80.3	5 ~ 35				
12	100 RV - SP	110	M	M	54 ~ 237.6	15 ~ 66	6 ~ 30	600 ~ 1200	40	8	390
13	150 SV - SP		M	PU	108 ~ 479.16	30 ~ 133.1	8.5 ~ 40				
14	200 SV - SP		M / PU	M / PU	189 ~ 891	52.5 ~ 247.5	6.5 ~ 37				
15	250 TV - SP		M / PU	M / PU	261 ~ 1089	72.5 ~ 302.5	7.5 ~ 33.5				
16	300 TV - SP	200	M	PU	288 ~ 1267	80 ~ 352	6.5 ~ 33	350 ~ 700	50	5	575

Note: PU- -Polyurethane; RU- -Rubber; M- - Wear-resistant alloy.



OUTLINE DIMENSION

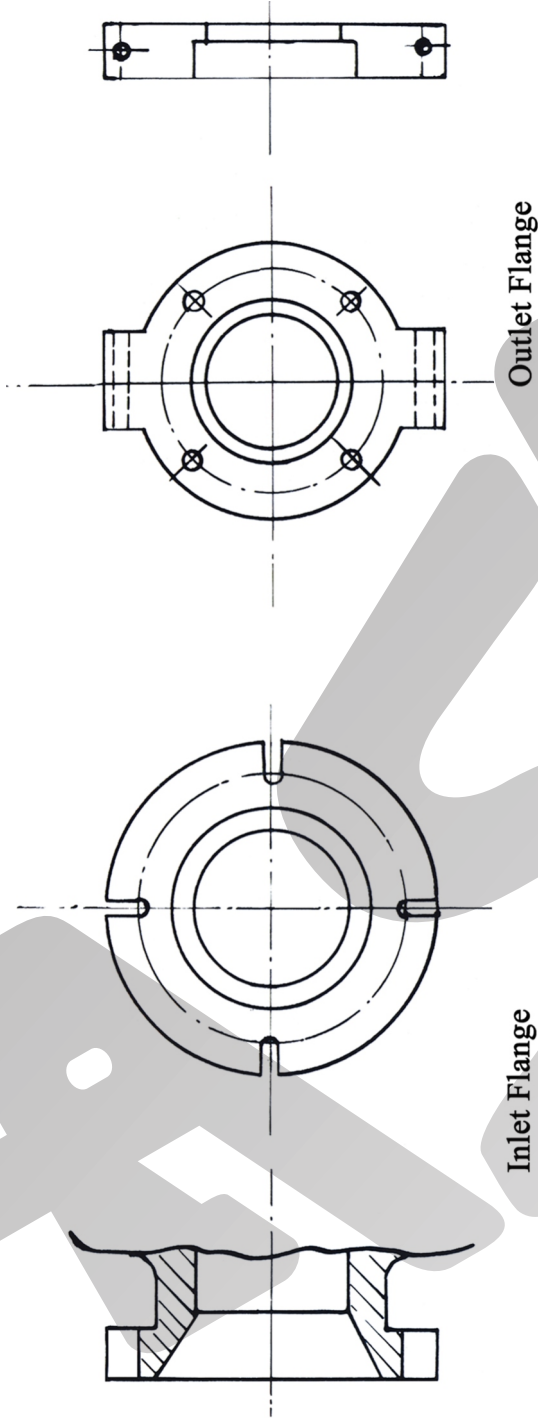


SP & SPR SUBMERSIBLE SUMP PUMP

OUTLINE DIMENSION

Pump		Outline Dimensions (mm)														Pump Weight (kg)		Slurry Pit Size (mm)				Volume (m ³)	
Size (mm)	Frame Model	A	B	C	D (Standard Dimension)	E	F	G	H	J	K	ØL	M	N	P	Q	R	Weight (kg)	S	T	ØV	ØX	Volume (m ³)
40	PV	137	285	153	900	380	500	500	450	450	205	127	174	733	675	248	629	285	280	695	550	1000	0.34
		140	265	175																			
65	QV	227	399	231	1200	492	680	680	620	620	285	178	265	898	794	290	681	432	350	925	800	1400	0.9
		230	380	260		498																	
100	RV	260	538	317	1500	662	1000	870	800	930	400	229	393	1141	1020	416	960	867	350	1225	1000	1750	1.86
		266	535	332		668																	
150	SV	390	670	365	1800	875	1100	1100	1030	1030	500	280	475	1311	1200	476	1011	1737	350	1525	1250	2150	3.54
		395		400		883																	
200	SV	450	805	440	1800	878	1300	1200	1100	1200	600	343	550	1313	1300	476	1011	350	1525	1500	2400	4.76	
250	TV	500	930	470	2100	1000	1750	1450	1350	1650	700	406	685	1572	1750	561	1246	400	1775	1700	2700	6.86	
300	TV	500	1170	559	2100	1000	1750	1450	1350	1650	700	483	700	1467	1750	561	1246	400	1800	2000	3100	9.34	
		400	1090	630		1365																	

FLANGE DIMENSION



Model	Inlet Flange				Outlet Flange			
	O.D.	I.D	C/C For Holes	Hole	O.D.	I.D	C/C For Holes	Hole
40 PV SP SPR	Ø 170	Ø 81	Ø 140	4 - Ø 14	Ø 127	Ø 40	Ø 98	4 - Ø 16
65 QV SP SPR	Ø 240	Ø 104	Ø 215	4 - Ø 14	Ø 178	Ø 65	Ø 140	4 - Ø 19
100 RV SP SPR	Ø 380	Ø 175	Ø 325	4 - Ø 24	Ø 229	Ø 100	Ø 191	8 - Ø 19
150 SV SP SPR					Ø 280	Ø 150	Ø 241	8 - Ø 22
200 SV SP SPR					Ø 343	Ø 200	Ø 298	8 - Ø 22
250 TV SP SPR					Ø 406	Ø 250	Ø 362	12 - Ø 25
300 TV SP SPR					Ø 483	Ø 300	Ø 432	12 - Ø 25