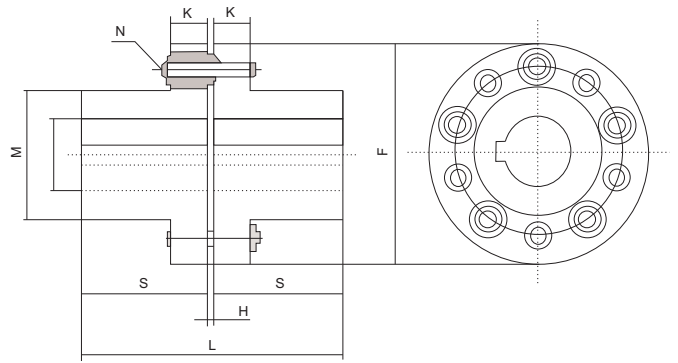




EP-Coupling



Special Notice

EP-Coupling should be done dynamic balance according to the degree Q6.3 when rotation speed reaches 1/2 of its limit.

