

## TSK SERIES

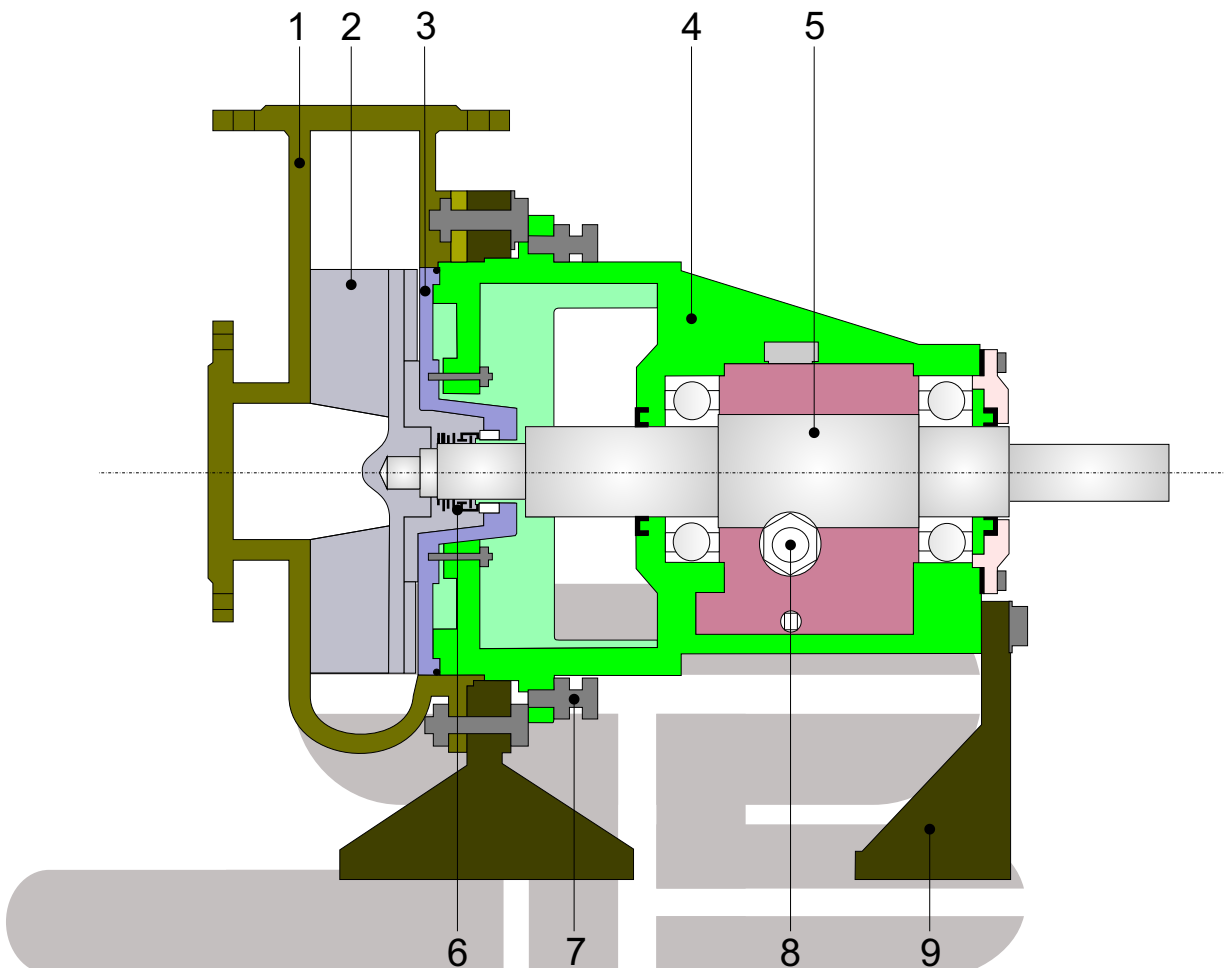


**THONG FATT JAYA MACHINERY HARDWARE SDN. BHD.**

**同發機械五金有限公司** (176024-V)

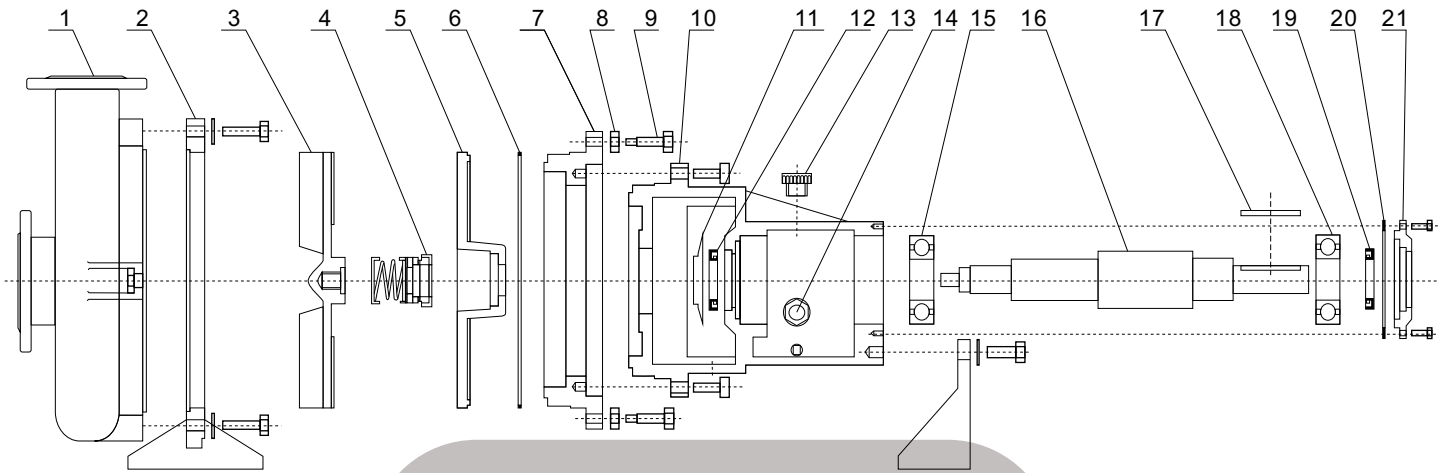
775-779, Jalan Kuala Kangsar, Taman Tasek Jaya,  
31400 Ipoh, Perak, Malaysia.  
Tel: 00-605-5468 659, 5455 751, 5479 196, 5454 107  
Fax: 00-605-5482 282, 5474 753  
Email: tfjaya@tm.net.my / tfjaya@streamyx.com  
Website: <http://www.thongfattjaya.com.my>

# STAINLESS STEEL END-SUCTION PUMP



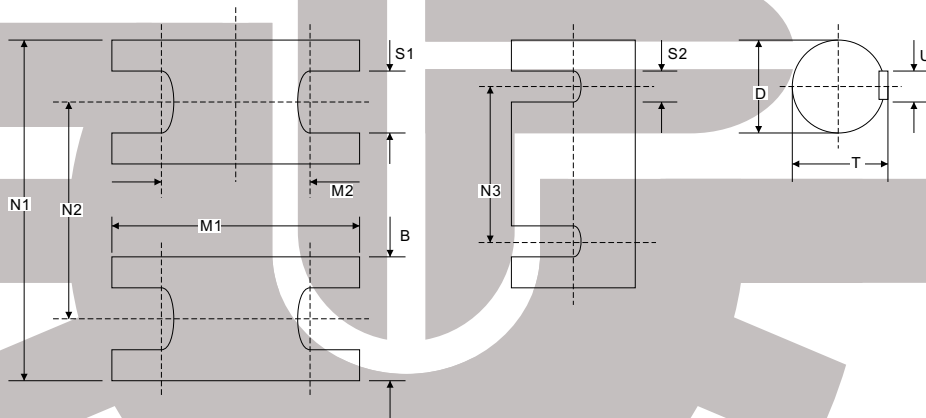
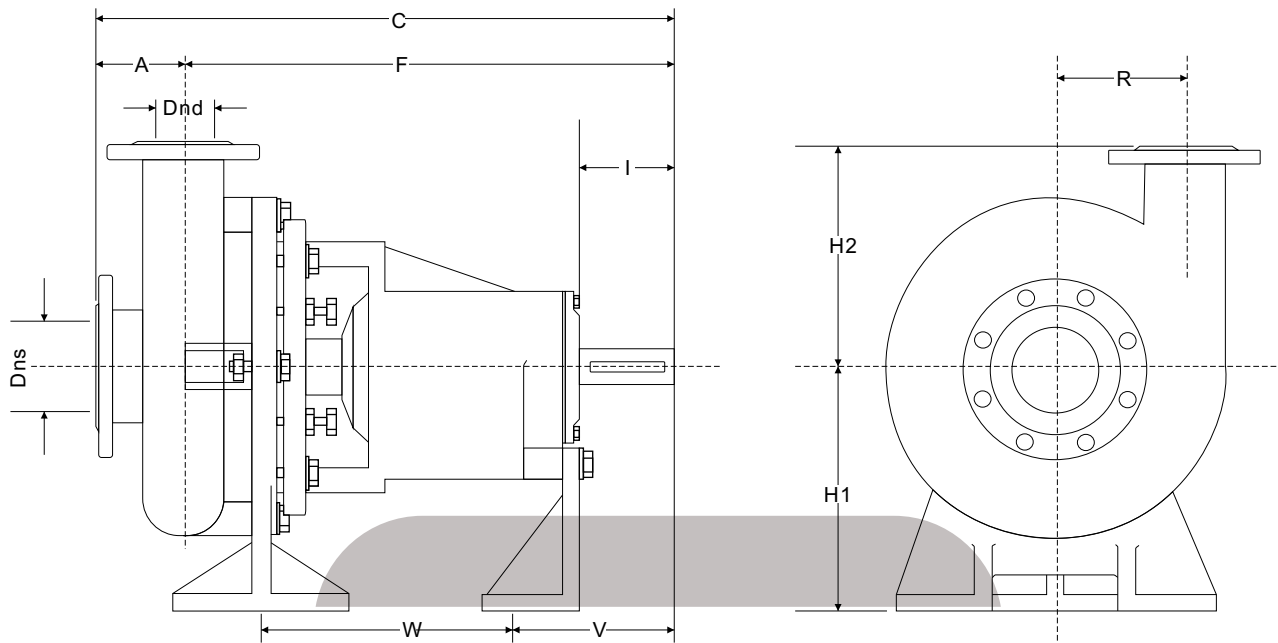
NO.	Description
1	Concentric casing with tangential discharge nozzle design. The impeller and casing is equal at all points. This will reduce turbulence, cavitation and casing life is greatly extended especially in abrasive service.
2	Non-clogging semi-open vane impeller, ideal for handling liquids containing suspended matter or solids. The impeller also consists of multi back vanes to reduce the concentration of solids and also lower the pressure on the sealing chamber area. Closed impeller, and fully-open impeller also available on request.
3	Stuffing box cover wear plate is bolted to the frame with two bolts, easy to access, convenient and economic to replace.
4	Heavy duty cast iron construction bearing bracket with enlarge oil reservoir for better dissipation of heat.
5	Large solid shaft size for heavy duty performance with minimal bearing overhang, provides superior resistance to trust power.
6	Standard single-acting mechanical seal is generally employed. Gland packing system also available on request.
7	Clearance adjusting screws make open impeller close to pump body and running clearance adjustments easy and accurate to extend pump performance life and pump efficiency.
8	Bulls Eye sight glass for easy accurate monitoring of oil level.
9	Full support rear foot to easy as assembled disassemble.

# STAINLESS STEEL END-SUCTION PUMP



Part No.	Description	Standard Material
1	Casing	Stainless Steel 304
2	Support Stand	Ductile Iron
3	Semi-Open Impeller	Stainless Steel 304
4	Mechanical Seal	Carbon vs. Ceramic
5	Stuffing Box Cover	Stainless Steel 304
6	Stuffing Box Cover "O" Ring / Casing Cover "O" Ring	Synthetic Rubber
7	Adaptor Extension Ring	Cast Iron
8	Jam Nut	Steel
9	Clearance Adjusting Screw	Steel
10	Bearing Bracket	Cast Iron
11	Deflector	Synthetic Rubber
12	Oil Seal	Synthetic Rubber
13	Oil Cover	Aluminium Alloy
14	Oil Gauge	Plastic
15	Bearing	Steel
16	Shaft	Stainless Steel 304
17	Shaft End Key	Stainless Steel 304
18	Bearing	Steel
18	Oil Seal	Synthetic Rubber
20	Bearing Cover Gasket	Paper Gasket Sheet
21	Bearing Cover	Cast Iron

# STAINLESS STEEL END-SUCTION PUMP



Dimensions in mm																							
PUMP MODEL	Flanges		Pump Dimensions						Foot Dimensions							Shaft End							
	Dnd	Dns	A	F	C	H1	H2	R	B	M1	M2	N1	N2	N3	S1	S2	V	W	D	I	T	U	
TSK	TSK 50	50	80	115	430	545	250	215	123	90	180	150	310	245	185	18	14	140	230	38	80	42.8	9.5
	TSK 80	80	100	115	440	555		242	130														
	TSK 100	100	125	125	445	570		262	148														