

VERTICAL CHEMICAL PUMP



The **TFVCP** Series are centrifugal and designed for vertical installations. They have pump body and impeller submerged, own mechanical support and motor mounted above the liquid to be pumped. Any metal part comes into contact with the fluid and any bolts or nuts are submerged in the liquid. Under normal operating conditions, no mechanical sealing systems to prevent leaks of liquid are required while optional vapour seals are foreseen. Designed to pump corrosive chemicals have been engineered down to the smallest details to ensure long operating life and efficiency. Great care was paid to the TFVCP series pumps right from the design board to ease maintenance and corrective operations for the repair crews internal or external to the companies served and for our worldwide net of distributors. The range of TFVCP pumps foresee two size ranges and the main parts subject to maintenance are the same for all the pumps belonging to each dimensional group.

Construction

Single-stage centrifugal pumps, axial downwards suction fitted with protective filter, radial outlet connected to union discharge pipe, upward oriented discharge located in the support base plate provided.

Materials

The materials wetted by the fluid pumped have excellent chemical resistance. The TFVCP pump versions, completely constructed with CPVC or PP offer a wide combinations of chemically resistant execution materials. To select the proper configuration the concentration and temperature of the liquid pumped have to be compared with the maximum values admissible by the chemical compatibility charts provided by our technical department for the given liquid. This approach makes it possible to operate within the proper safety margins and ensure reliable applications.



THONG FATT JAYA MACHINERY HARDWARE SDN. BHD.

同發機械五金有限公司 (176024-V)

775-779, Jalan Kuala Kangsar, Taman Tasek Jaya,
31400 Ipoh, Perak, Malaysia.
Tel: 00-605-5468 659, 5455 751, 5479 196, 5454 107
Fax: 00-605-5482 282, 5474 753
Email: tfjaya@tm.net.my / tfjaya@streamyx.com
Website: <http://www.thongfattjaya.com.my>

VERTICAL CHEMICAL PUMP



Motor

The TFVCP pumps are equipped with electric motors fully compliant to IEC standards 415V +/- 5% voltage, multi frequency 50-60 Hz, tropicalised, IP44 protection class 3 insulation, and B5 shape. Different degrees of protection and different voltages can be supplied on request. The 2-pole rotors have a rotating speed of 2900rpm (50Hz) and 3500rpm (60Hz) and the 4-pole motors of 1450rpm (50Hz) and 1750rpm (60Hz).

Applications

Handling of acid, hydroxide and salt solutions in different concentrations and temperatures: mixture of strong acids, electrolytic baths, aromatic hydrocarbons, chlorides, alcohol, glycol ethers, emulsions, etc from tanks, reservoirs and collection sumps. Liquids with a specific weight of up to 2kg/dm³ can be handled according to the installed power; maxim kinematics viscosity of 75 cSt and maxim temperature of 80 °C to be reduced accordingly to the type of pump, type of material and length of the column as detailed in the table 5.

Specification

Model	Flow Rate (l/min)		Head (m)		Motor						Inlet & Outlet (mm)	
	50Hz	60Hz	50Hz	60Hz	HP	rpm	volt	Hz	Phase	Amp	Inlet	Outlet
TFVCP-200	200	250	10	13	3/4	2800/3400	415/240	50/60	3	1.35/2.4	50	40
TFVCP-230	233	300	15	18	2	2800/3400	415/240	50/60	3	1.8/3.1	50	40
TFVCP-260	267	317	16	19	1 1/2	2800/3400	415/240	50/60	3	2.5/4.4	50	40
TFVCP-330	333	383	18	21	2	2800/3400	415/240	50/60	3	3.4/5.9	50	40
TFVCP-400	400	433	22	25	3	2800/3400	415/240	50/60	3	4.7/8.1	50	40

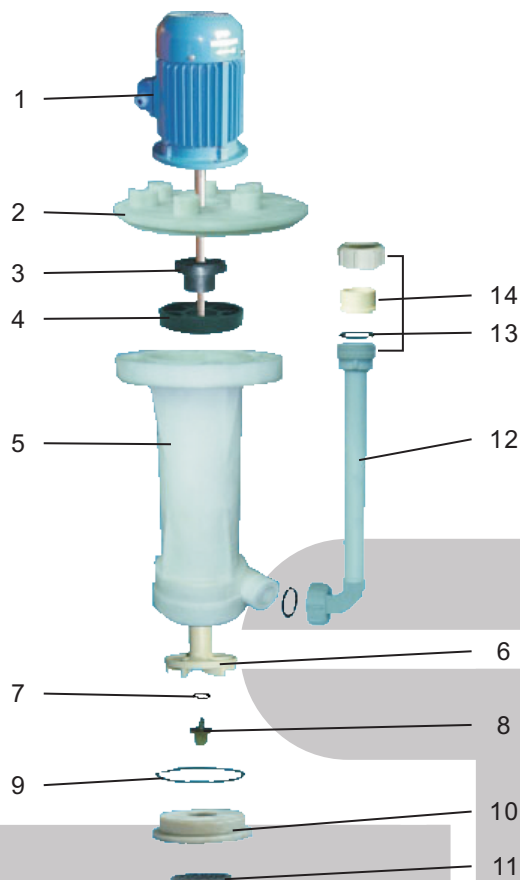


THONG FATT JAYA MACHINERY HARDWARE SDN. BHD.

同發機械五金有限公司 (176024-V)

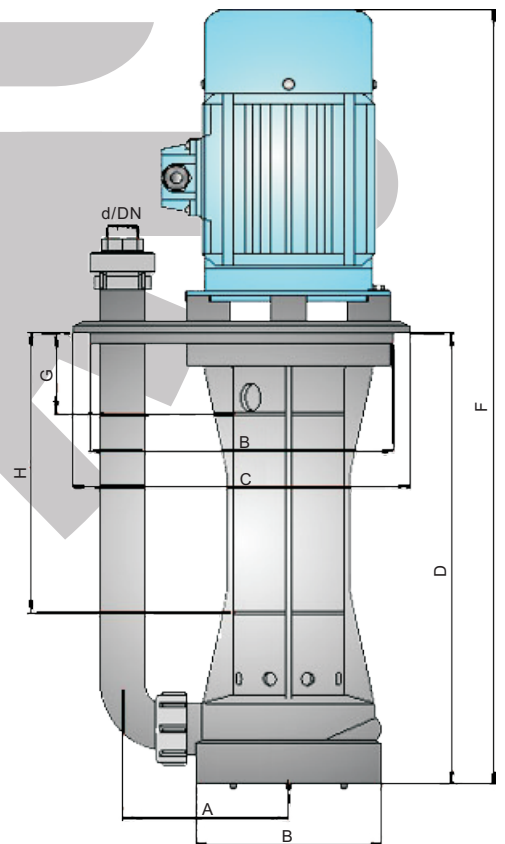
775-779, Jalan Kuala Kangsar, Taman Tasek Jaya,
31400 Ipoh, Perak. Malaysia.
Tel: 00-605-5468 659, 5455 751, 5479 196, 5454 107
Fax: 00-605-5482 282, 5474 753
Email: tfjaya@tm.net.my / tfjaya@streamyx.com
Website: <http://www.thongfattjaya.com.my>

VERTICAL CHEMICAL PUMP



1. Electric Motor
2. Base Plate
3. T Seal Ring
4. Sleeve support
5. Pump Casing
6. Impeller
7. O-Ring
8. Impeller Nut
9. O-Ring
10. Impeller Cover
11. Strainer
12. Discharge Tube
13. O-Ring
14. Union

Model	HP	Dimensions (mm)								
		A	B	C	D	E	F	G	H	d/DN
TFVCP-200	3/4	149	Ø168	Ø303	405	Ø273	649	72	251	40/32
TFVCP-230	1						678			
TFVCP-260	1 1/2						693			
TFVCP-330	2						718			
TFVCP-400	3									



THONG FATT JAYA MACHINERY HARDWARE SDN. BHD.

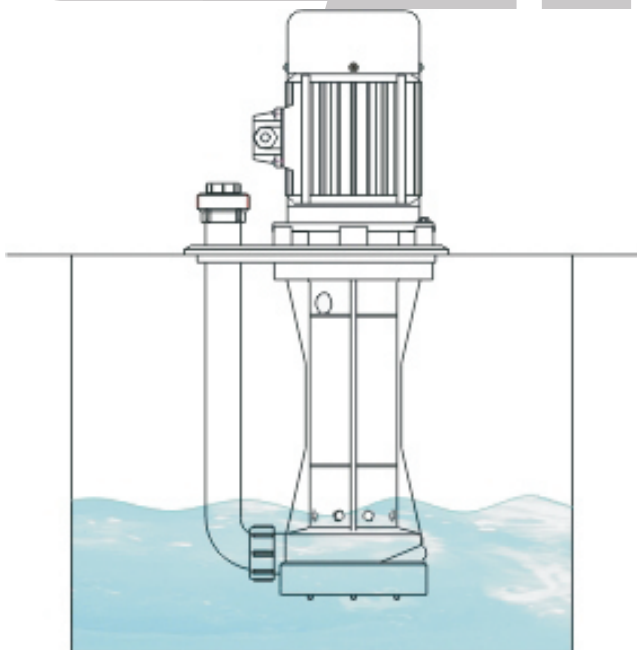
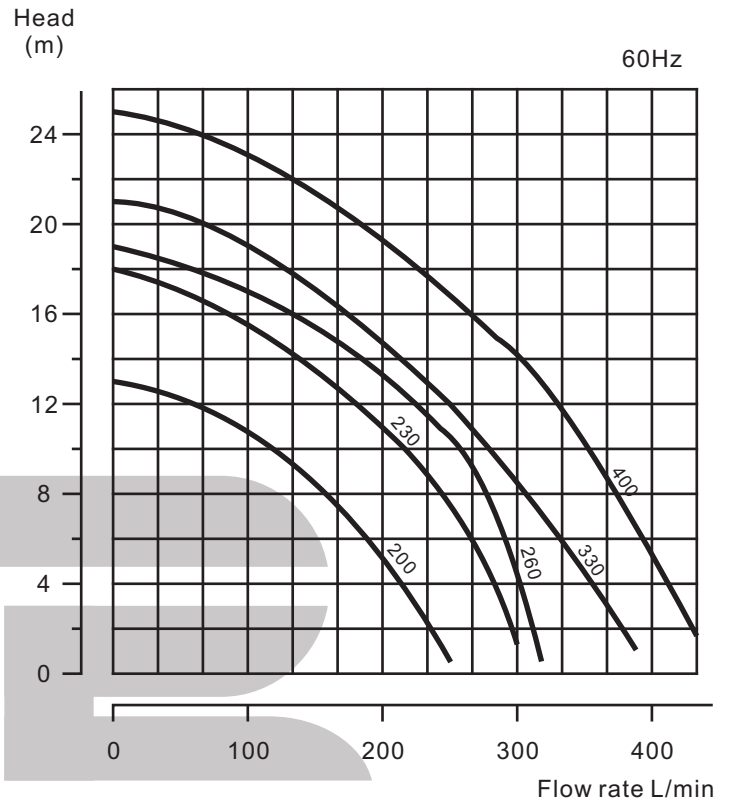
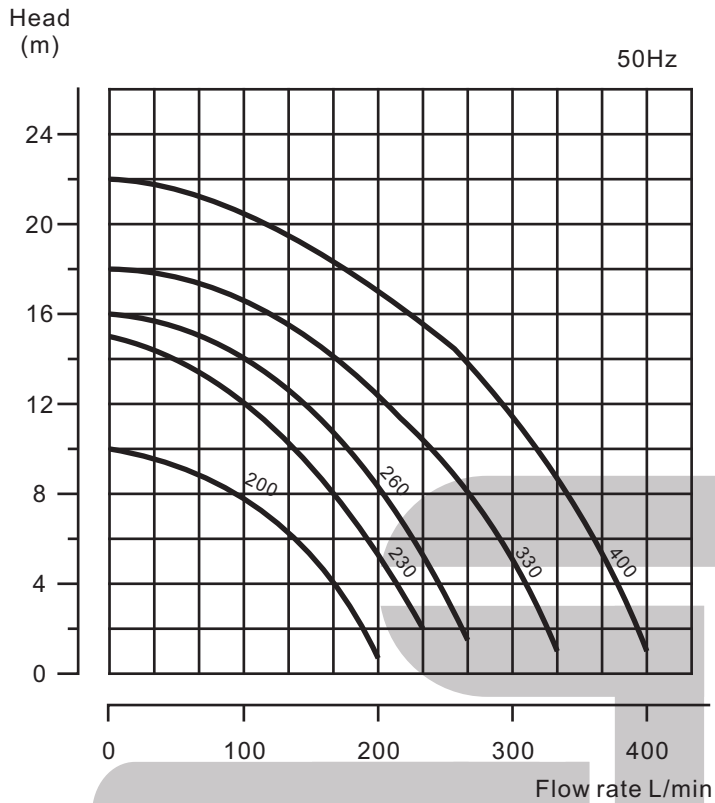
同發機械五金有限公司 (176024-V)

775-779, Jalan Kuala Kangsar, Taman Tasek Jaya,
 31400 Ipoh, Perak. Malaysia.
 Tel: 00-605-5468 659, 5455 751, 5479 196, 5454 107
 Fax: 00-605-5482 282, 5474 753
 Email: tfjaya@tm.net.my / tfjaya@streamyx.com
 Website: http://www.thongfattjaya.com.my

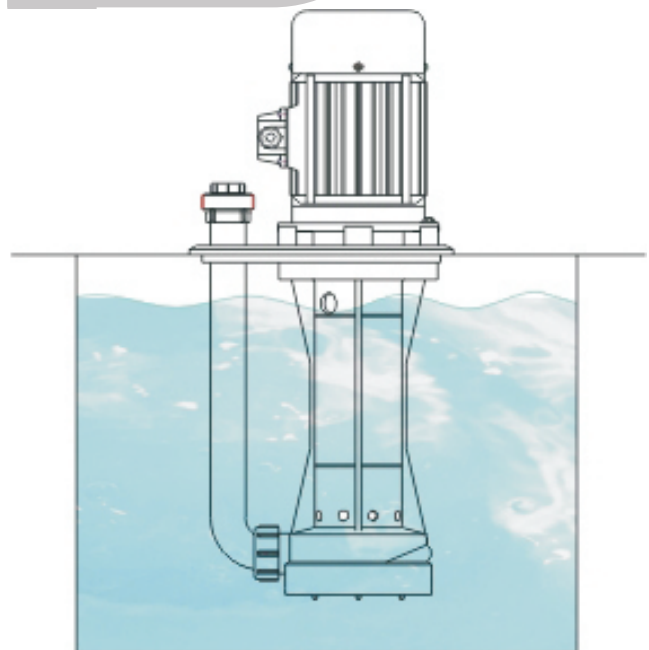
VERTICAL CHEMICAL PUMP



Performance Curve



Lowest Water Level



Highest Water Level

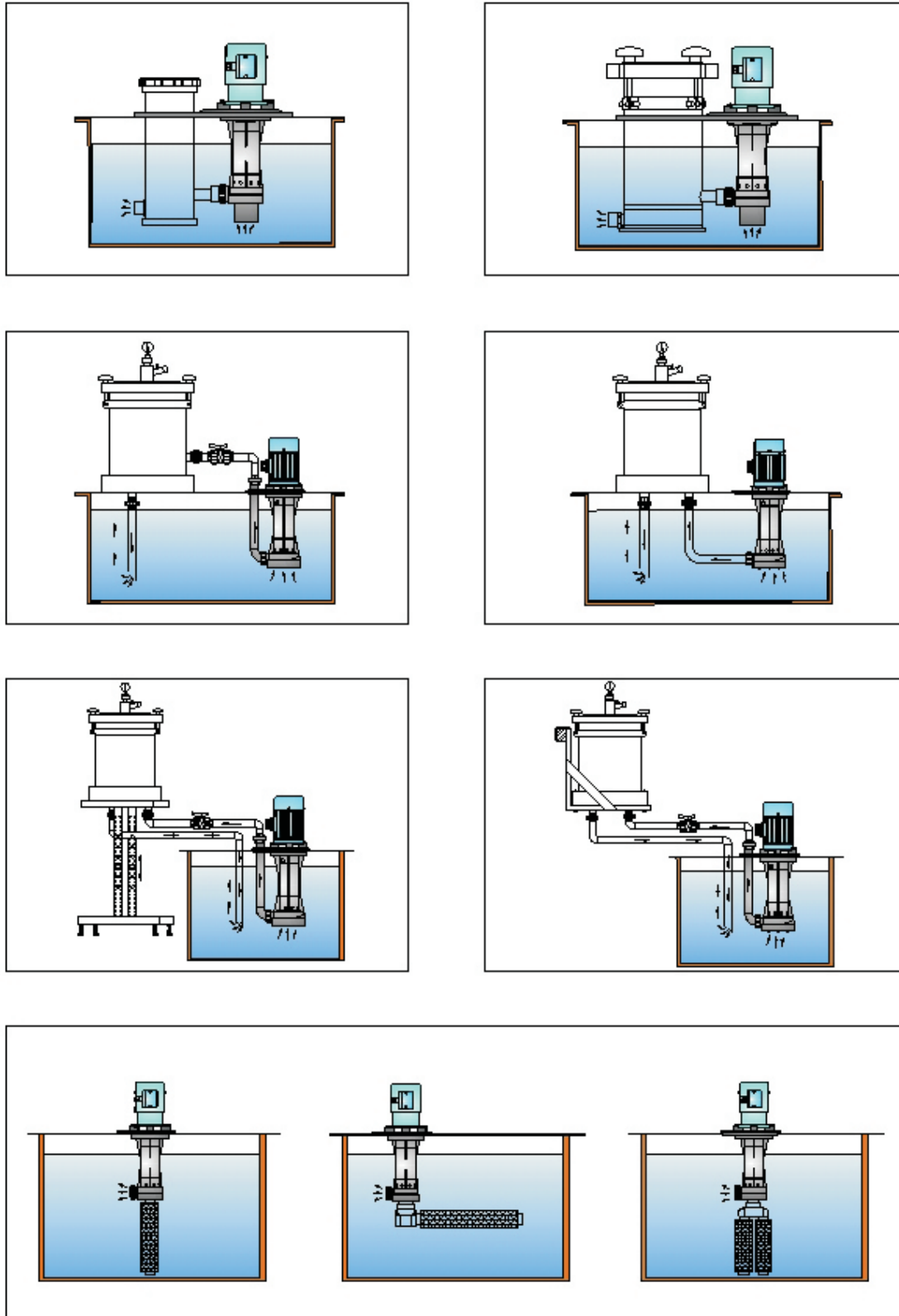


THONG FATT JAYA MACHINERY HARDWARE SDN. BHD.

同發機械五金有限公司 (176024-V)

775-779, Jalan Kuala Kangsar, Taman Tasek Jaya,
31400 Ipoh, Perak. Malaysia.
Tel: 00-605-5468 659, 5455 751, 5479 196, 5454 107
Fax: 00-605-5482 282, 5474 753
Email: tfjaya@tm.net.my / tfjaya@streamyx.com
Website: <http://www.thongfattjaya.com.my>

Vertical Chemical Pump Filtering System



THONG FATT JAYA MACHINERY HARDWARE SDN. BHD.

同發機械五金有限公司 (176024-V)

775-779, Jalan Kuala Kangsar, Taman Tasek Jaya,
31400 Ipoh, Perak, Malaysia.
Tel: 00-605-5468 659, 5455 751, 5479 196, 5454 107
Fax: 00-605-5482 282, 5474 753
Email: tfjaya@tm.net.my / tfjaya@streamyx.com
Website: <http://www.thongfattjaya.com.my>