

INLINE PUMP



A. USAGE

1. It can be used to increase the pressure of hot & cold water for tap water, high buildings, water towers, pressureless boilers, long-distance water supply, water for fire fighting, cooling towers, air conditioning systems, garden fountains, hotels, restaurants and bathrooms in dormitories;

2. To circulatively increase pressure for cooling water of plastic machines, to supply water for cooling towers in textile factories, dyeing & finishing mills, breweries and chemical plants as well as to transfer water and liquid.

B. PUMP KEY

ASI: Single -stage Inline Pump

50: Inlet & Outlet Diameter: 50mm

C. MATERIALS

The pump body is made of cast iron, the axle of #45 steel and the impeller of copper backed up by imported sealing rubber rings.

D. THE STARTING, RUNNING & MAINTENANCE

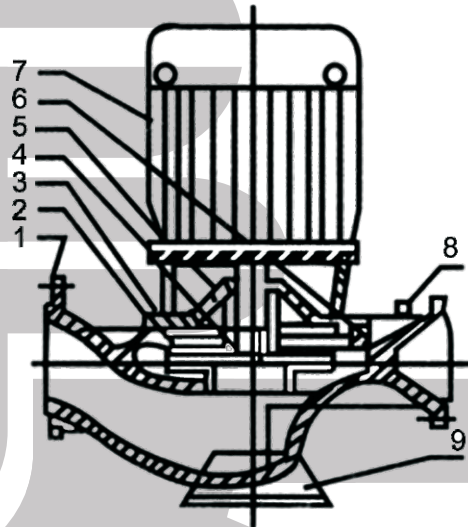
1. A pressure gauge is suggested to be installed at the flange of the pump so as to monitor and control the running position of the pump. Before starting, the pump should be filled fully with water and the air bleeder without water is forbidden, otherwise the sealing rings will be damaged.

2. After starting, turn the outlet valve gradually open and set it in a needed position.

3. To guarantee the motor to run well, a fuse should be installed at the switch. In case of noise and over temperature, the pump should be stopped immediately. Normally, the bearings of the motor should be given annual maintenance. The motor rotation is clockwise when view from the top, which is shown by a arrow marking on the pump.



ASI SERIES



E. STRUCTURE

1. Pump Casing
2. Impeller
3. Terminal Cover
4. Bolt
5. Mechanical Seal
6. Sealing Ring
7. Motor
8. Air Release Valve
9. Pump Base

Model	Outlet Dia. (inch)	Power		Head (m)	Capacity (m ³ /h)	Head (m)	Capacity (m ³ /h)	Head (m)	Capacity (m ³ /h)	Speed (rpm)	Voltage (V)
		(HP)	(KW)								
ASI-32	1-1/4"	1/2HP	0.37	13	3	10	6	7	8.4	2850	415
ASI-40	1-1/2"	1HP	0.7	18	7.2	13.5	11.4	11	15.6	2850	415
ASI-50	2"	2HP	1.5	20.5	10.8	17.5	16.8	13.5	25.2	2850	415
ASI-65	2-1/2"	3HP	2.2	22	21.8	19.5	27	13.5	45	2850	415
ASI-80	3"	5HP	4	24	36	21	42	16	69	2850	415
ASI-100	4"	7-1/2HP	5.5	24	39	21	60	16	75	2850	415
ASI-100A	4"	10HP	7.5	30	78	25	105	20	126	2850	415