

# CHEMICAL CORROSIVE-RESISTANT PUMP



PPZD SERIES~  
Self Priming Monobloc

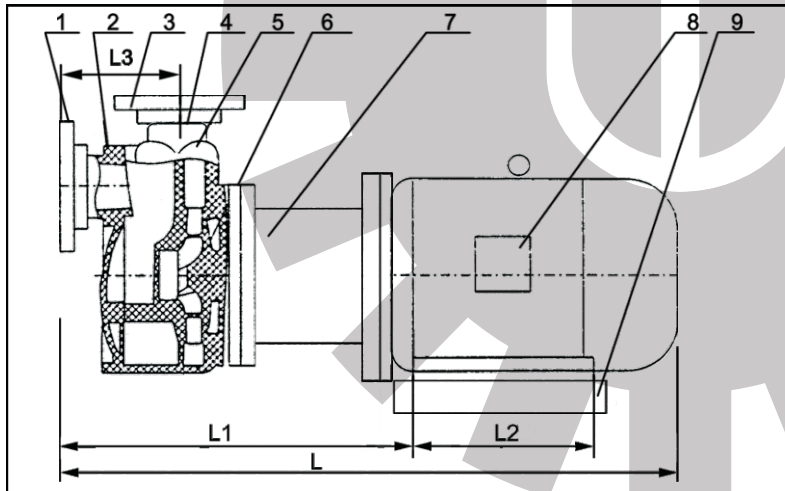
## PUMP KEY

PPZD 25 - 20 - 100

PPZD Series  
25: Inlet (25mm)  
20: Outlet (20mm)  
100: Nominal Impeller Diameter (100mm)

- \* Material: CFR-PP (Reinforced Polypropylene)
- \* High intensity & chemical corrosive-resistant
- \* Suitable for various corrosive chemical material such as acid, alkali.
- \* Capacity: 2.5m<sup>3</sup>/h~20m<sup>3</sup>/h
- \* Head: 10m~28m
- \* Fluid Temperature: -14°C ~ +80°C
- \* Application: chemical, food, pharmaceutical, paper making, environmental control, water treatment, etc.

## STRUCTURE & INSTALLATION DIMENSIONS



1. Inlet Flange-----CFR-PP
2. Front Pump Cover--CFR-PP
3. Outlet Flange-----CFR-PP
4. Priming Plug-----CFR-PP
5. Pump Body-----CFR-PP
6. Impeller-----CFR-PP
7. Rear Pump Cover---CFR-PP
8. Motor
9. Base-----Cast Iron

## SPECIFICATIONS DATA

No.	Model	Power (kw)	Speed (rpm)	Capacity (m3/h)	Head (m)	Eff. (%)	Priming Head (m)	Priming (sec/m)	Inlet		Outlet		Weight (kg)	
									(mm)	(inch)	(mm)	(inch)	Pump	Set
1	PPZD25-20-100	0.75	2900	2.5	10	49	6	60	25	1	20	3/4	5.5	14
2	PPZD32-25-105	0.55	2900	3.5	11	49	6	60	32	1-1/4	25	1	5.5	14
3	PPZD40-32-125	1.5	2900	11	18	49	6	60	40	1-1/2	32	1-1/4	7	28
4	PPZD50-40-130	2.2	2900	13	20	49	6	60	50	2	40	1-1/2	7	29
5	PPZD65-50-150	4	2900	20	28	53	6	60	65	2-1/2	50	2	15	60