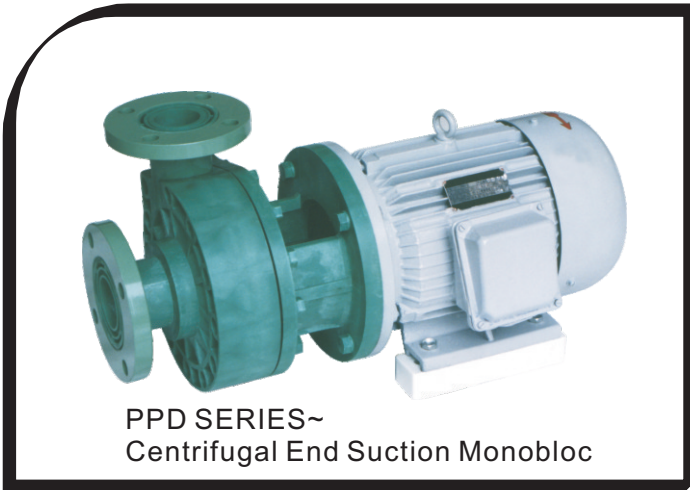


CHEMICAL CORROSIVE-RESISTANT PUMP



PPD SERIES~
Centrifugal End Suction Monobloc

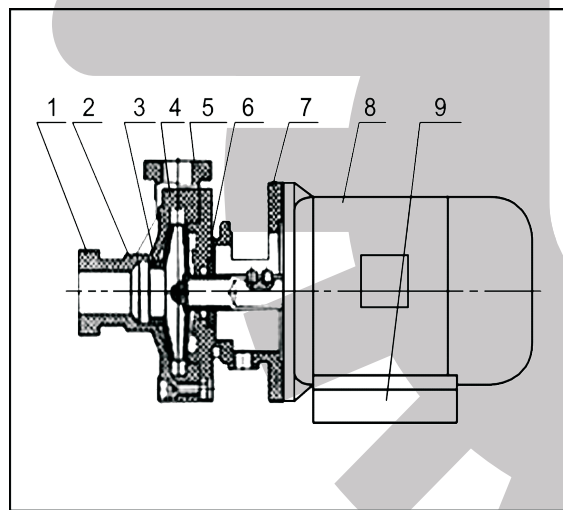
PUMP KEY

PPD 20 - 15 - 60

PPD Series
20: Inlet (20mm)
15: Outlet (15mm)
60: Nominal Impeller Diameter (60mm)

- * Material: CFR-PP (Reinforced Polypropylene)
- * High intensity & chemical corrosive-resistant
- * Suitable for various corrosive chemical material such as acid, alkali.
- * Capacity: 1m³/h~25m³/h
- * Head: 5m~25m
- * Fluid Temperature: -14°C ~ +80°C
- * Application: chemical, food, pharmaceutical, paper making, environmental control, water treatment, etc.

STRUCTURE & INSTALLATION DIMENSIONS



- 1. Inlet Flange-----CFR-PP
- 2. Front Pump Cover--- CFR-PP
- 3. Impeller-----CFR-PP
Shaft----- Stainless Steel 1Cr18Ni9Ti
PP Coated
- 4. Pump Body-----CFR-PP
- 5. Outlet Flange-----CFR-PP
- 6. Mechanical Seal----- WB₂A-35
- 7. Rear Pump Cover---CFR-PP
- 8. Motor
- 9. Base-----Cast Iron

SPECIFICATIONS DATA

No.	Model	Power	Speed	Capacity	Head	Inlet		Outlet		Weight (kg)	
		(kw)	(rpm)	(m ³ /h)	(m)	(mm)	(inch)	(mm)	(inch)	Pump	Set
1	PPD20-15-60	0.12	2900	1	5	20	3/4	15	1/2	0.6	6
2	PPD 20-20-90	0.37	2900	3	6	20	3/4	20	3/4	0.8	6.5
3	PPD32-25-100	0.55	2900	5	7	32	1-1/4	25	1	3.1	13
4	PPD 32-25-105	0.55	2900	6.3	8	32	1-1/4	25	1	2.1	13
5	PPD 32-25-110	1.1	2900	8	14	32	1-1/4	25	1	2.6	20
6	PPD 40-32-125	1.5	2900	12.5	20	40	1-1/2	32	1-1/4	3.5	23
7	PPD 50-40-145	2.2	2900	13	22	50	2	40	1-1/2	5.3	28
8	PPD 65-50-150	4.0	2900	25	25	65	2-1/2	50	2	7.5	60