

VERTICAL MULTI-STAGE S. STEEL PUMP



SVM SERIES

MATERIALS

- * Casing, back-cover, impeller, pump shaft, guide vane, flange and wetted parts : SUS304 or SUS316L stainless steel
- * Base Plate and adaptor: Cast Iron
- * O-Ring: EPDM
- * Standard mechanical seal : WC/Graphite/Viton (Other mechanical seal materials are available upon request.)

APPLICATIONS

The pumps are suitable for transferring clean water or non-explosive liquid which is non-aggressive to stainless steel SUS304 or SUS316L.

- * Water supply system
- * Pressure boiler feeding
- * Pure water treatment system
- * Pharmaceutical & food industries
- * Refining chemical industries
- * Washing and sprinkling

WORKING CONDITIONS

1. Max. Working Pressure : 25bar
2. Liquid Temperature: $-15^{\circ}\text{C} \sim +120^{\circ}\text{C}$
3. Inlet Diameter: 25mm~50mm
4. Outlet Diameter: 25mm~50mm
5. Motor:
 - (1) T.E.F.V. Aluminium motor, Continuous duty
 - (2) Insulation: Class F
 - (3) Protection Class: IP55
 - (4) Single Phase: 240V/50Hz / 2900r.p.m.
(Single phase motor with thermal protector)
 - (5) Three Phase: 415V/50Hz / 2900r.p.m.
 - (6) With aluminium jacket and NSK bearing for 0.75kw~9.2kw; with cast iron jacket and NSK bearing for 11kw~15kw.

PUMP KEY

SVM 2 - 90 D

D: 1 phase
None: 3 phase

Stage: 9x10

Capacity: $2\text{m}^3/\text{h}$

SVM Series Vertical Multi-stage Stainless Steel Centrifugal Pump



THONG FATT JAYA MACHINERY HARDWARE SDN. BHD.

同發機械五金有限公司 (176024-V)

775-779, Jalan Kuala Kangsar, Taman Tasek Jaya, 31400 Ipoh, Perak, Malaysia.
Tel: 00-605-5468 659, 5455 751, 5479 196, 5454 107
Fax: 00-605-5482 282, 5474 753
Email: tfjaya@tm.net.my / tfjaya@streamyx.com
Website: <http://www.thongfattjaya.com.my>

VERTICAL MULTI-STAGES STEEL PUMP

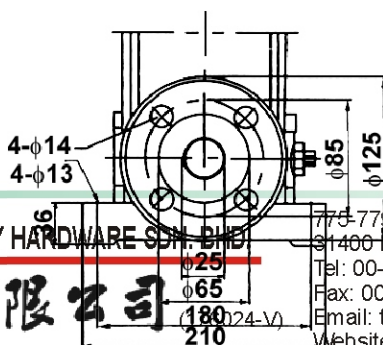
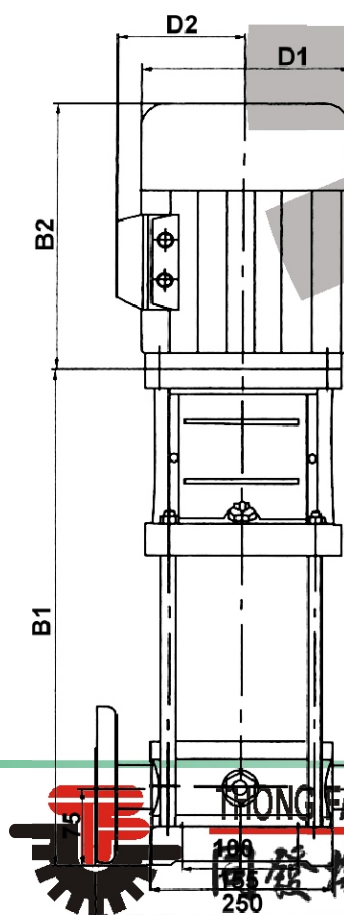


SPECIFICATION DATA

Single Phase 240V/50HZ 2900RPM	Three Phase 415V/50HZ 2900RPM	Power		Capacity						
		kW	HP	(m ³ /h)	1	1.5	2	2.5	3	3.5
SVM2-60D	SVM2-60	0.75	1	Head (m)	16.7	25	33.3	41.7	50	58.3
SVM2-70D	SVM2-70	0.75	1		52	50	47	43	39	33
SVM2-90D	SVM2-90	1.1	1.5		60	58	53	50	45	39
SVM2-110D	SVM2-110	1.1	1.5		78	74	69	63	58	46
SVM2-130D	SVM2-130	1.5	2		96	91	85	80	72	57
SVM2-150D	SVM2-150	1.5	2		112	107	100	90	81	69
SVM2-160D	SVM2-160	2.2	3		130	124	114	104	93	77
SVM2-180D	SVM2-180	2.2	3		139	132	121	111	99	84
SVM2-220D	SVM2-220	2.2	3		156	149	138	130	114	96
----	SVM2-260	3	4		185	173	165	150	121	100
				218	203	194	176	150	120	

INSTALLATION DIMENSION

Single Phase 240V/50HZ 2900RPM	Three Phase 415V/50HZ 2900RPM	Dimensions (mm)					Weight (kg)
		B1	B2	B1+B2	D1	D2	
SVM2-60D	SVM2-60	327	265	592	156.6	110	32.5
SVM2-70D	SVM2-70	345	265	610	156.6	110	33
SVM2-90D	SVM2-90	381	265	646	156.6	110	34
SVM2-110D	SVM2-110	417	265	682	156.6	110	34
SVM2-130D	SVM2-130	453	275	728	176.6	118	39
SVM2-150D	SVM2-150	489	275	764	176.6	118	39
SVM2-160D	SVM2-160	507	275	782	176.6	118	40
SVM2-180D	SVM2-180	543	275	818	176.6	118	42
SVM2-220D	SVM2-220	615	275	890	176.6	118	42
----	SVM2-260	697	325	1022	196.6	135	49



THONG FATT JAYA MACHINERY HARDWARE SDN. BHD.
 775-779, Jalan Kuala Kangsar, Taman Tasek Jaya,
 31400 Ipoh, Perak, Malaysia.
 Tel: 00-605-5468 659, 5455 751, 5479 196, 5454 107
 Fax: 00-605-5482 282, 5474 753
 Email: tfjaya@tm.net.my / tfjaya@streamyx.com
 Website: http://www.thongfattjaya.com.my

VERTICAL MULTI-STAGES STEEL PUMP

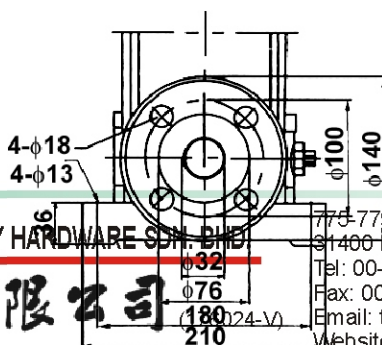
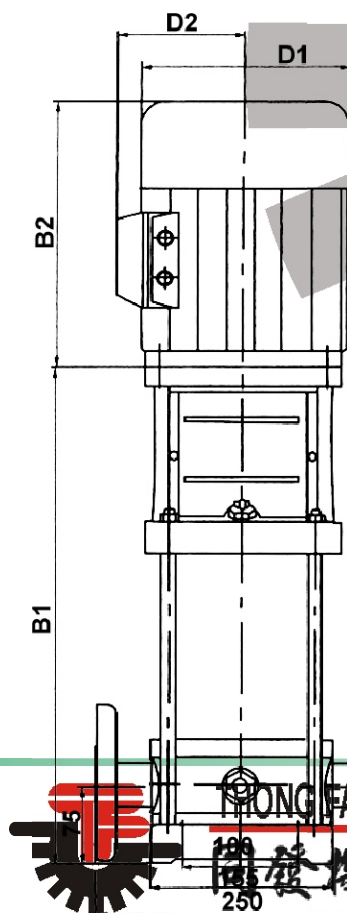


SPECIFICATION DATA

Single Phase 240V/50HZ 2900RPM	Three Phase 415V/50HZ 2900RPM	Power		Capacity							
				(m ³ /h)	2	3	4	5	6	7	8
		kW	HP	(L/min)	33.3	50	66.7	83.3	100	116.7	133.3
SVM4-40D	SVM4-40	0.75	1	Head (m)	35	33.5	32	29.5	27	23	10
SVM4-50D	SVM4-50	1.1	1.5		43	40	37	33	28	25	11.5
SVM4-60D	SVM4-60	1.1	1.5		52	50	45	41	34	26	14
SVM4-70D	SVM4-70	1.5	2		61	58	53	47.5	40	28	18
SVM4-80D	SVM4-80	1.5	2		70	66.5	61	54	46	32	21
SVM4-100D	SVM4-100	2.2	3		86	80	74	66	56	41	23
SVM4-120D	SVM4-120	2.2	3		105	99	91	82	68	47	27
---	SVM4-140	3	4		123	116	106	93	79	56	29
---	SVM4-160	3	4		142	133	122	111	94	67	34
---	SVM4-190	4	5.5		172	160	148	134	115	89	47
---	SVM4-220	4	5.5		190	177	163	142	119	91	60

INSTALLATION DIMENSION

Single Phase 240V/50HZ 2900RPM	Three Phase 415V/50HZ 2900RPM	Dimensions (mm)					Weight (kg)
		B1	B2	B1+B2	D1	D2	
SVM4-40D	SVM4-40	327	265	592	156.6	110	32
SVM4-50D	SVM4-50	354	265	619	156.6	110	32
SVM4-60D	SVM4-60	381	265	646	156.6	110	33
SVM4-70D	SVM4-70	408	275	683	156.6	118	33.5
SVM4-80D	SVM4-80	435	275	710	176.6	118	33.5
SVM4-100D	SVM4-100	489	275	764	176.6	118	38
SVM4-120D	SVM4-120	543	275	818	176.6	118	38
---	SVM4-140	607	325	932	196.6	135	46.5
---	SVM4-160	661	325	986	196.6	135	46.5
---	SVM4-190	742	325	1067	196.6	135	53
---	SVM4-220	823	325	1148	196.6	135	53



THONG FATT JAYA MACHINERY HARDWARE SDN. BHD.
 同發機械五金有限公司
 775-779, Jalan Kuala Kangsar, Taman Tasek Jaya,
 31400 Ipoh, Perak, Malaysia.
 Tel: 00-605-5468 659, 5455 751, 5479 196, 5454 107
 Fax: 00-605-5482 282, 5474 753
 Email: tfjaya@tm.net.my / tfjaya@streamyx.com
 Website: http://www.thongfattjaya.com.my

VERTICAL MULTI-STAGES STEEL PUMP

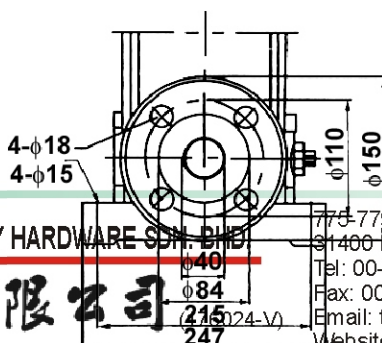
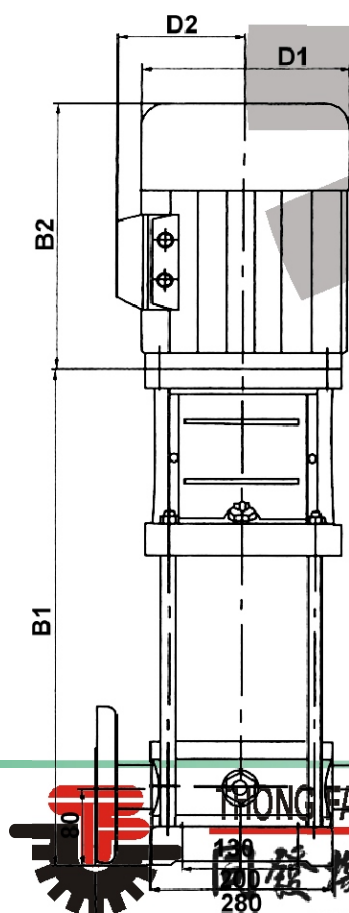


SPECIFICATION DATA

Single Phase 240V/50HZ 2900RPM	Three Phase 415V/50HZ 2900RPM	Power		Capacity								
				(m ³ /h)	5	6	7	8	9	10	11	12
---	SVM8-30	1.1	1.5	(L/min)	83	100	117	133	150	167	183	200
---	SVM8-40	1.5	2	Head (m)	30	29.5	28.5	27	25	24	21	19
---	SVM8-50	2.2	3		41	39.5	38	36	34	32	28	26
---	SVM8-60	2.2	3		52	50	48	45	42	40	36	32
---	SVM8-80	3	4		62	60	57	54	51	48	43	39
---	SVM8-100	4	5.5		83	80	77	73	69	65	58	52
---	SVM8-120	4	5.5		104	100	97	92	87	81	73	65
---	SVM8-140	5.5	7.5		124	120	116	111	104	92	87	78
---	SVM8-160	5.5	7.5		145	141	136	130	122	113	102	92
---	SVM8-180	7.5	10		166	161	156	148	139	130	118	106
---	SVM8-200	7.5	10		187	182	175	167	157	146	134	120
---	SVM8-200	7.5	10		208	202	195	186	175	163	150	135

INSTALLATION DIMENSION

Single Phase 240V/50HZ 2900RPM	Three Phase 415V/50HZ 2900RPM	Dimensions (mm)				
		B1	B2	B1+B2	D1	D2
---	SVM8-30	406	265	671	156.6	110
---	SVM8-40	436	275	711	176.6	118
---	SVM8-50	466	275	741	176.6	118
---	SVM8-60	496	275	771	176.6	118
---	SVM8-80	566	325	891	196.6	135
---	SVM8-100	626	325	951	196.6	135
---	SVM8-120	686	325	1011	196.6	135
---	SVM8-140	766	379	1145	255	157
---	SVM8-160	826	379	1205	255	157
---	SVM8-180	886	417	1303	255	157
---	SVM8-200	946	417	1363	255	157



THONG FATT JAYA MACHINERY HARDWARE SDN. BHD.
 775-779, Jalan Kuala Kangsar, Taman Tasek Jaya, 31400 Ipoh, Perak, Malaysia.
 Tel: 00-605-5468 659, 5455 751, 5479 196, 5454 107
 Fax: 00-605-5482 282, 5474 753
 Email: tfjaya@tm.net.my / tfjaya@streamyx.com
 Website: http://www.thongfattjaya.com.my

VERTICAL MULTI-STAGES STEEL PUMP

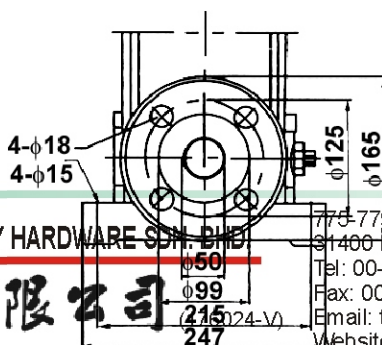
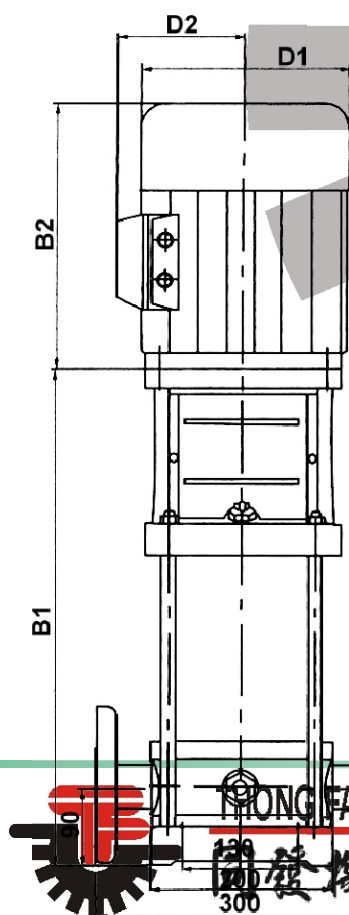


SPECIFICATION DATA

Single Phase 240V/50HZ 2900RPM	Three Phase 415V/50HZ 2900RPM	Power		Capacity								
				(m ³ /h)	8	10	12	14	16	18	20	22
		kW	HP	(L/min)	133	167	200	233	267	300	333	367
----	SVM16-20	2.2	3	Head (m)	26	25	24	23	22	21	20	18
----	SVM16-30	3	4		38	37	36	35	33	31	28	25
----	SVM16-40	4	5.5		52	50	49	47	46	43	39	35
----	SVM16-50	5.5	7.5		62	61	59	57	55	50	45	40
----	SVM16-60	5.5	7.5		76	74	71	69	66	62	56	50
----	SVM16-70	7.5	10		89	87	85	82	78	74	69	60
----	SVM16-80	7.5	10		102	100	97	95	92	85	77	70
----	SVM16-100	11	15		125	122	118	114	110	103	96	85
----	SVM16-120	11	15		153	149	146	142	137	129	120	110
----	SVM16-140	15	20		178	175	172	167	157	155	147	128
----	SVM16-160	15	20		204	200	196	191	186	176	168	146

INSTALLATION DIMENSION

Single Phase 240V/50HZ 2900RPM	Three Phase 415V/50HZ 2900RPM	Dimensions (mm)				
		B1	B2	B1+B2	D1	D2
----	SVM16-20	408	278	686	177	127
----	SVM16-30	484	337	821	197	127
----	SVM16-40	529	337	866	197	127
----	SVM16-50	577	380	957	258	173
----	SVM16-60	622	380	1002	258	173
----	SVM16-70	667	380	1047	258	173
----	SVM16-80	712	380	1092	258	173
----	SVM16-100	830	485	1315	320	320
----	SVM16-120	920	485	1405	320	320
----	SVM16-140	1010	485	1495	320	320
----	SVM16-160	1100	485	1585	320	320



THONG FATT JAYA MACHINERY HARDWARE SDN. BHD.
 775-779, Jalan Kuala Kangsar, Taman Tasek Jaya, 31400 Ipoh, Perak, Malaysia.
 Tel: 00-605-5468 659, 5455 751, 5479 196, 5454 107
 Fax: 00-605-5482 282, 5474 753
 Email: tfjaya@tm.net.my / tfjaya@streamyx.com
 Website: http://www.thongfattjaya.com.my