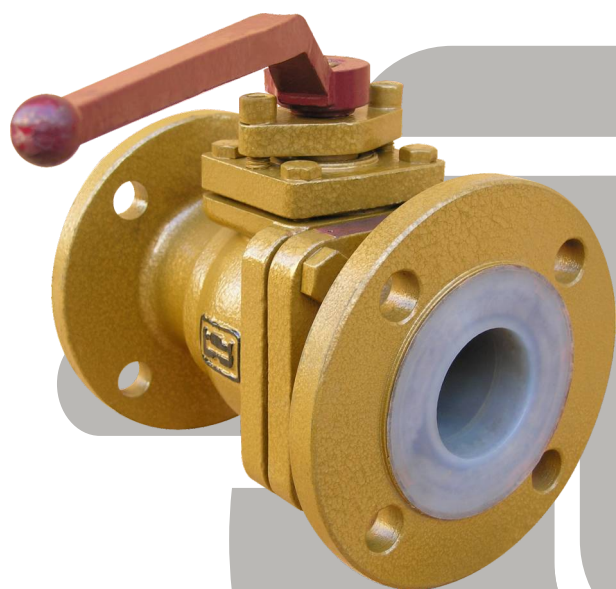


Q41F-10C SERIES

APPLICATION

The product is designed for On/Off control of strong corrosive fluid, and widely used in industries such as petroleum, chemical, dying, pesticides, acid production and alkali production, etc. It is the current best choice for corrosion-proof equipment.



Q41F-10C SERIES

Nominal Diameter : (DN) 25~100mm

Nominal Pressure : (PN) 1Mpa

Operating Temperature : -20°C~+120°C

Material : Steel Liner F46

FEATURE

Q41F-10C Series of Fluoroplastic Ball Valves have fluoroplastic liner, and its body is precise-cast with melt mold, and has high strength, smooth surface. A multi-function combination of fluoroplastic liner with metal appearance ensures the wetted parts works over range of -20°C to +120°C perfectly for long service life.



THONG FATT JAYA MACHINERY HARDWARE SDN. BHD.

同發機械五金有限公司 (176024-V)

775-779, Jalan Kuala Kangsar, Taman Tasek Jaya,
31400 Ipoh, Perak. Malaysia.
Tel: 00-605-5468 659, 5455 751, 5479 196, 5454 107
Fax: 00-605-5482 282, 5474 753
Email: tfjaya@tm.net.my / tfjaya@streamyx.com
Website: <http://www.thongfattjaya.com.my>

FLUOROPLASTIC BALL VALVE



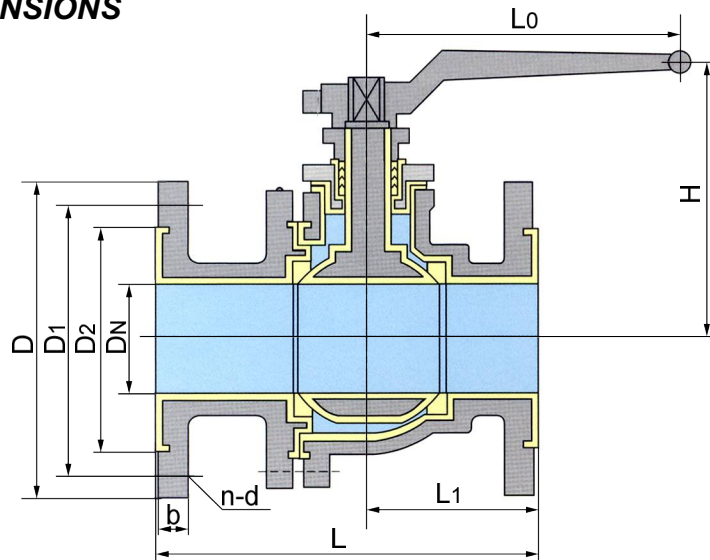
"PUMPKEY

Q 4 1 F - 10 C - 80



- Nominal Diameter: 80mm
- Material of Valve Body: Carbon Steel
- Norminal Pressure: 1MPa
- Material of Liner: Fluoroplastic
- Structure Type: Floating Direct Flow Type
- Connection Type: Flange Type
- Ball Valve Type

"INSTALLATION DIMENSIONS



Model	Overall Dimension (mm)									Weight (kg)
	L	L ₁	D	D ₁	D ₂	n - f d	H	b	L ₀	
Q41F-10C-20	140	62	105	75	55	4-14	112	10	155	3.5
Q41F-10C-25	150	65	115	85	65	4-14	122	12	160	4.8
Q41F-10C-32	165	75	135	100	75	4-18	130	13	160	7
Q41F-10C-40	180	83	145	110	85	4-18	140	14	220	8
Q41F-10C-50	200	100	165	125	100	4-18	140	14	220	10
Q41F-10C-65	220	100	180	145	125	4-18	170	15	250	15
Q41F-10C-80	250	120	195	160	135	4-18	200	15	300	20
Q41F-10C-100	305	142	215	180	155	8-18	210	19	350	29
Q41F-10C-125	325	140	245	210	185	8-18	210	20	350	50
Q41F-10C-150	394	197	280	240	210	8-23	250	24	390	65