

J41F-16 Series

APPLICATION

Designed for the purpose of on-off control for transferring corrosive liquid. These products are extensively applied in many kinds of pipelines for corrosive liquid with the working temperature from : -20°C to +120°C



J41F-16 SERIES

Nominal Diameter	: (DN) 25~100mm
Nominal Pressure	: (PN) 1.6Mpa
Operating Temperature	: -20°C~+120°C
Suitable Liquid	: Acid, alkali, salt, solvent, etc.
Material	: Steel Liner F46, Ht200

FEATURE

J41F-16 Fluorine-lined Stop Valve Series, with its cavity, cover and rod all lined with neoflon alloy, provide the best corrosive-resistant performance.



THONG FATT JAYA MACHINERY HARDWARE SDN. BHD.

同發機械五金有限公司 (176024-V)

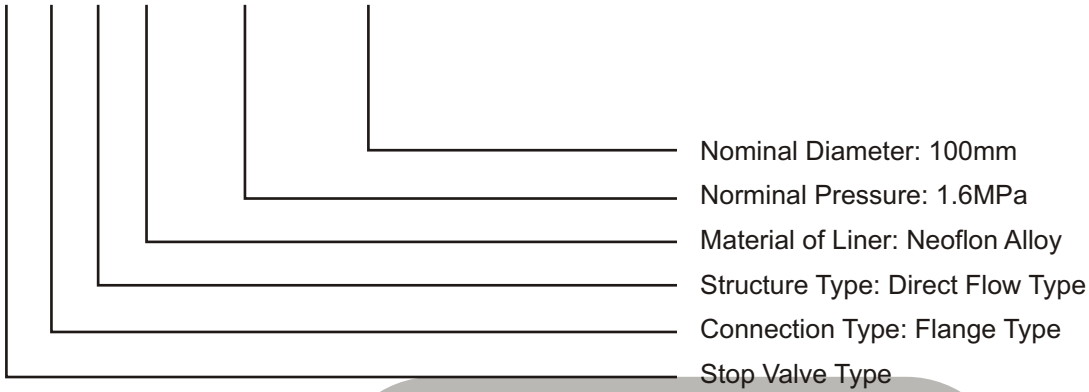
775-779, Jalan Kuala Kangsar, Taman Tasek Jaya,
31400 Ipoh, Perak, Malaysia.
Tel: 00-605-5468 659, 5455 751, 5479 196, 5454 107
Fax: 00-605-5482 282, 5474 753
Email: tfjaya@tm.net.my / tfjaya@streamyx.com
Website: <http://www.thongfattjaya.com.my>

FLUORORINE-LINED STOP VALVE

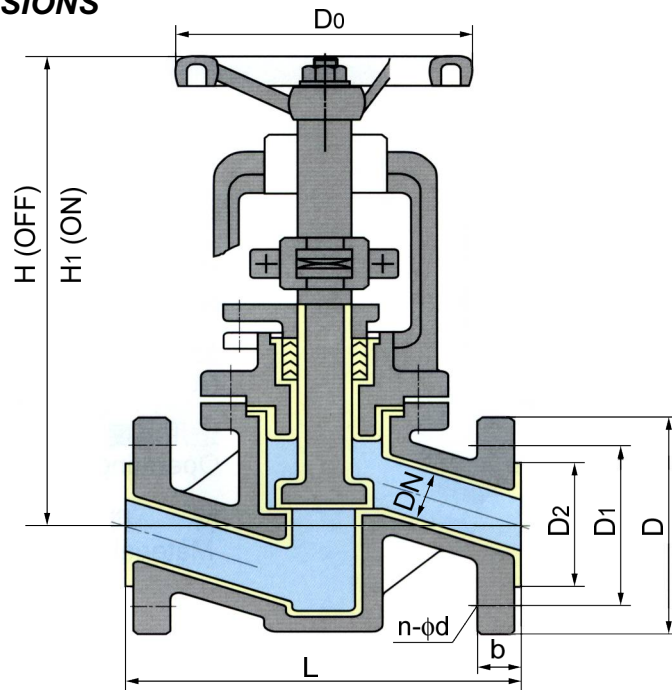


"PUMPKEY

J 4 1 F - 16 - 100



"INSTALLATION DIMENSIONS



Model	Overall Dimension (mm)								
	L	D	D ₁	D ₂	b	n-f d	H	H ₁	D ₀
J41F-16-25	160	115	85	65	18	4-14	255	270	120
J41F-16-32	180	135	100	75	20	4-18	300	330	140
J41F-16-40	200	145	110	85	20	4-18	325	355	140
J41F-16-50	230	160	125	110	23	4-18	360	406	160
J41F-16-65	290	180	145	120	23	4-18	370	410	160
J41F-16-80	310	195	160	135	24	8-18	438	490	200
J41F-16-100	350	215	180	155	27	8-18	460	500	280