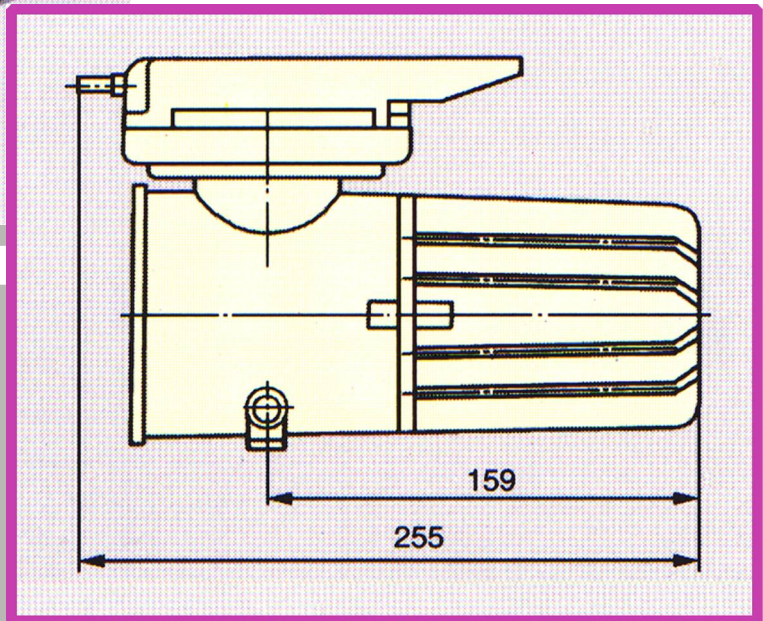
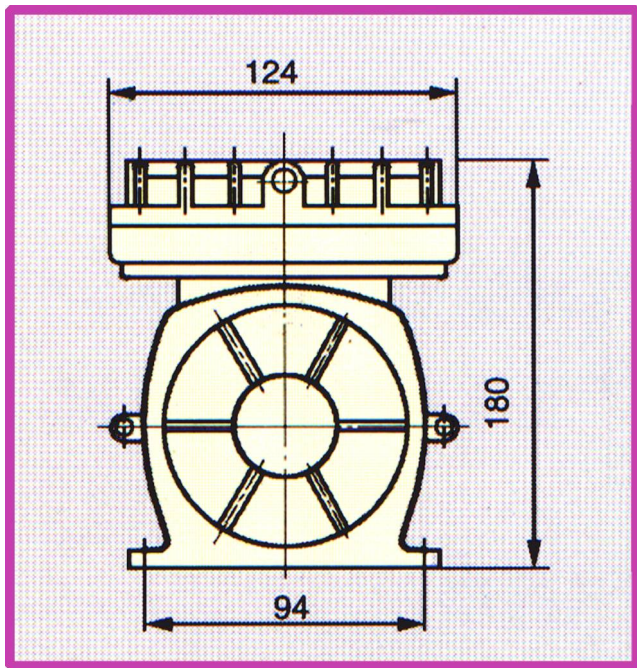


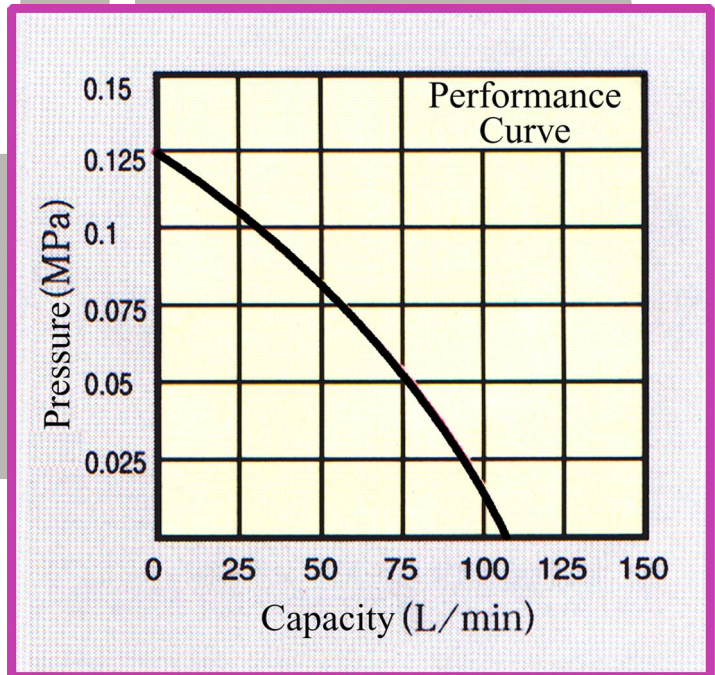
# DC PERMANENT MAGNETIC AERATOR



## HZ-100



Voltage: 12V  
 Power: 100W  
 Pressure: >0.12MPa  
 Capacity: ≥105L/min  
 Noise: < 70dB (A)  
 Weight: 3.8kg



**THONG FATT JAYA MACHINERY HARDWARE SDN. BHD.**

**同發機械五金有限公司** (176024-V)

775-779, Jalan Kuala Kangsar, Taman Tasek Jaya,  
 31400 Ipoh, Perak. Malaysia.  
 Tel: 00-605-5468 659, 5455 751, 5479 196, 5454 107  
 Fax: 00-605-5482 282, 5474 753  
 Email: tfjaya@tm.net.my / tfjaya@streamyx.com  
 Website: http://www.thongfattjaya.com.my