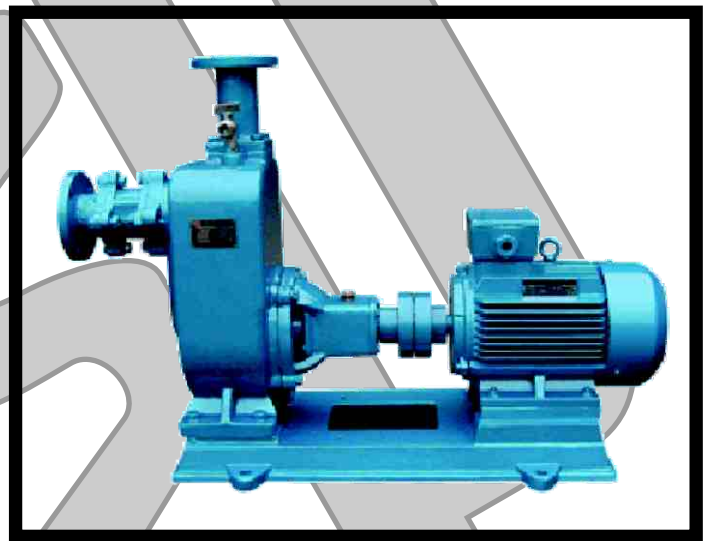


TZW-series Self-priming Sewage Pump



TZW-series pump, self-priming & non-clog pump, is designed for pumping of municipal and industrial sewage and exhaust, dejector or liquids containing fibers and scraps etc.



THONG FATT JAYA MACHINERY HARDWARE SDN. BHD.

同發機械五金有限公司 (176024-V)

HQ. No.707, Jalan Kuala Kangsar, Taman Tasek Jaya,
31400 Ipoh, Perak, Malaysia.
Tel:605-5468 659/5454 107 Fax:605-5482 282/5474 753
Email: tfjaya@streamyx.com / tfjaya@tm.net.my
Website: <http://www.thongfattjaya.com.my>

KL. No.7 Jalan BP 6/3, Bandar Bukit Puchong,
47100 Puchong, Selangor, Malaysia.
Tel:603-8060 5756 Fax:603-8060 5424
Email: tfjayakl@streamyx.com



TZW-series Self-priming Sewage Pump

Single Stage Single Suction Self-priming Centrifugal Pump

DESCRIPTION

* ASP TZW Series Non-Clogging Self Priming Solid Handling Pump handles a wide range of heavy duty pumping problems for various industries.

* It offers great design flexibility. This pump can be mounted high and dry above the liquid.

* It do not need to install a check valve and draw water into the pump. Furthermore it can suck or discharge medium which contains large solid and fibre.

* The pumps are capable for handling solids and stringy materials easily.

APPLICATIONS

* Such as paper pulp, engine plants, chemical industries, power station, mining, aquacultural, canneries, tanneries, meat packing plants, spinnery, food processing, etc.

* Any solids laden products- pulp, process water, filter waste, waste water, sludge and slime, etc.

PUMP KEY

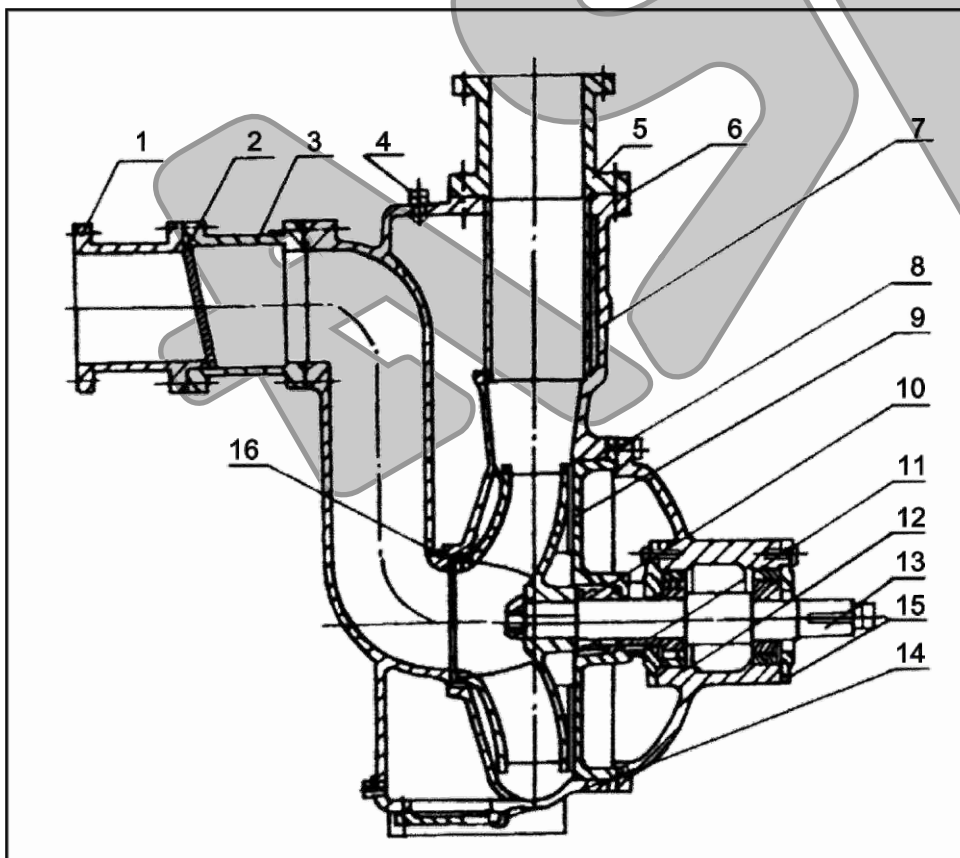
TZW S 80 - 40 - 16

TZW-Self-priming Sewage Pump
S-Stainless Steel (None-Cast Iron)
80-Suction Diameter (mm)
40-Rated Capacity (m³/h)
16-Rated Head (m)

WORKING CONDITION

- * Ambient Temp.: <50°C
- * Medium Temp.: -20°C~+80°C
(Up to +200°C available on request)
- * PH Value: 6~9 (Cast Iron)
1~14 (S. Steel)
- * Solids Contains: up to 30%
- * Solid Specific Gravity: <1240kg/m³
- * Suction lift must not over rated
4.5~5.5m.
- * Length of suction pipe is 10m.
- * Solid diameter: 60% of inlet/outlet diameter.
- * Fibre length: 5 times of inlet/outlet diameter.

STRUCTURE



1. Inlet Pipe
2. Suction Flange
3. Inlet Valve
4. Water Fill-in Plug
5. Outlet Pipe
6. Pump Casing
7. Liquid-gas Separation Pipe
8. Back Cover
9. Impeller
10. Mechanical Seal
11. Deflector
12. Bearing Housing
13. Pump Shaft
14. Bearing Cover
15. Bottom Plate
16. Bolt



TZW-series Self-priming Sewage Pump

Single Stage Single Suction Self-priming Centrifugal Pump

SPECIFICATION DATA (2900RPM)

No.	Model	Power (kw)	Speed (rpm)	Capacity (m ³ /h)	Head (m)	Priming (min/5m)	Passage (mm)		Inlet (mm)	Outlet (mm)
							Solid Diameter	Fiber Length		
1	TZW25-8-15	1.5	2900	8	15	3	15	125	25	25
2	TZW32-5-20	2.2	2900	5	20	3	20	160	32	32
3	TZW32-10-20	2.2	2900	10	20	3	20	160	32	32
4	TZW32-20-12	2.2	2900	20	12	3	20	160	32	32
5	TZW32-9-30	3	2900	9	30	3	20	160	32	32
6	TZW40-10-20	2.2	2900	10	20	3	25	200	40	40
7	TZW40-20-12	2.2	2900	20	12	3	25	200	40	40
8	TZW40-20-15	2.2	2900	20	15	3	25	200	40	40
9	TZW40-15-30	3	2900	15	30	3	25	200	40	40
10	TZW50-10-20	2.2	2900	10	20	3	30	250	50	50
11	TZW50-20-12	2.2	2900	20	12	3	30	250	50	50
12	TZW50-20-15	2.2	2900	20	15	3	30	250	50	50
13	TZW50-15-30	3	2900	15	30	3	30	250	50	50
14	TZW50-18-22	3	2900	18	22	3	30	250	50	50
15	TZW50-20-35	5.5	2900	20	35	3	30	250	50	50
16	TZW65-20-14	2.2	2900	20	14	3	40	325	65	50
17	TZW65-15-30	3	2900	15	30	3	40	325	65	50
18	TZW65-20-30	5.5	2900	20	30	3	40	325	65	65
19	TZW65-25-30	5.5	2900	25	30	3	40	325	65	65
20	TZW65-25-40	7.5	2900	25	40	3	40	325	65	65
21	TZW65-40-25	7.5	2900	40	25	4	40	325	65	65
22	TZW65-65-25	7.5	2900	65	25	3	40	325	65	65
23	TZW65-30-50	11	2900	30	50	3	40	325	65	65
24	TZW80-40-16	4	2900	40	16	3	48	400	80	80
25	TZW80-25-40	7.5	2900	25	40	3	48	400	80	80
26	TZW80-35-28	7.5	2900	35	28	3	48	400	80	80
27	TZW80-40-25	7.5	2900	40	25	3	48	400	80	80
28	TZW80-65-25	7.5	2900	65	25	3	48	400	80	80
29	TZW80-80-35	15	2900	80	35	3	48	400	80	80
30	TZW80-40-50	18.5	2900	40	50	3	48	400	80	80
31	TZW80-50-60	22	2900	50	60	3	48	400	80	80
32	TZW80-60-70	22	2900	60	70	3	48	400	80	80
33	TZW80-80-45	22	2900	80	45	3	48	400	80	80
34	TZW100-100-30	22	2900	100	30	3	60	500	100	100
35	TZW100-80-45	30	2900	80	45	3	60	500	100	100
36	TZW100-80-60	37	2900	80	60	3	60	500	100	100
37	TZW100-80-80	45	2900	80	80	3	60	500	100	100
38	TZW150-250-25	45	2900	250	25	3	90	750		
39	TZW150-180-38	55	2900	180	38	3	90	750	150	150
40	TZW150-400-25	55	2900	400	25	3	90	750	150	150



TZW-series Self-priming Sewage Pump

Single Stage Single Suction Self-priming Centrifugal Pump

SPECIFICATION DATA (1450RPM)

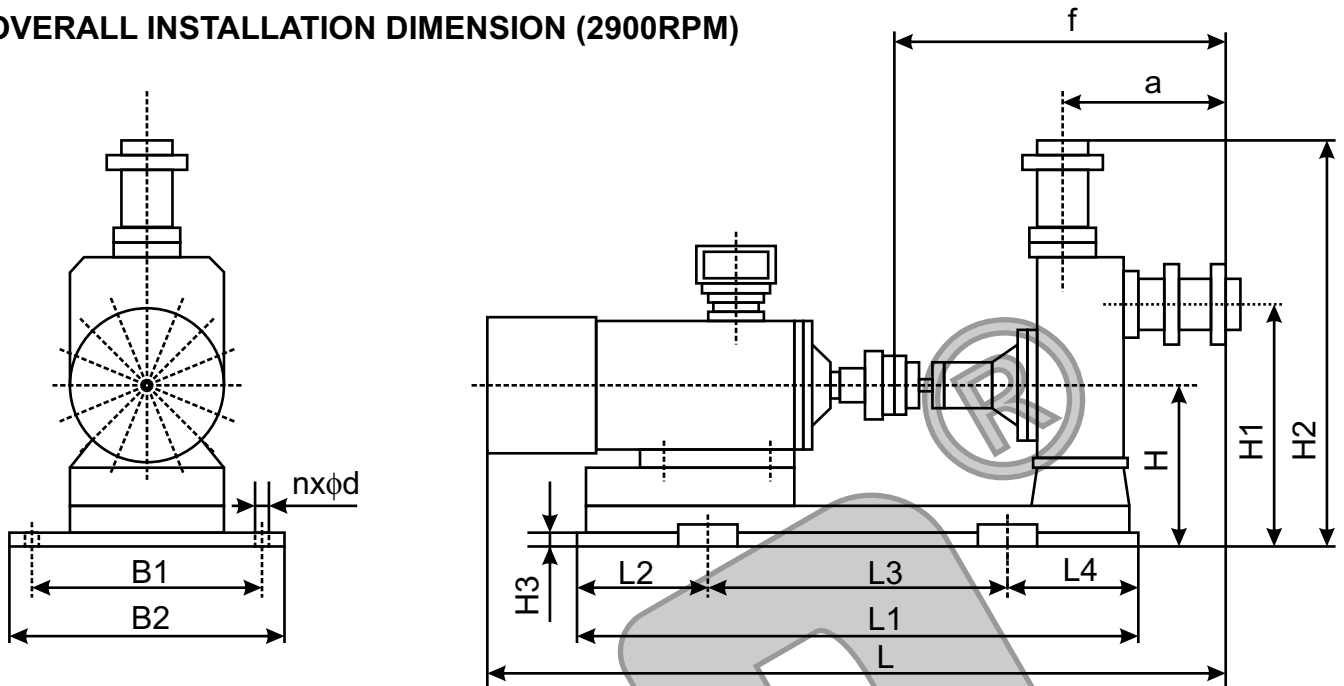
No.	Model	Power (kw)	Speed (rpm)	Capacity (m ³ /h)	Head (m)	Priming (min/5m)	Passage (mm)		Inlet (mm)	Outlet (mm)
							Solid Diameter	Fiber Length		
1	TZW65-30-18	4	1450	30	18	3	40	325	65	65
2	TZW65-40-25	7.5	1450	40	25	4	40	325	65	65
3	TZW80-40-16	4	1450	40	16	3	48	400	80	80
4	TZW80-65-20	7.5	1450	65	20	3	48	400	80	80
5	TZW80-65-25	7.5	1450	65	25	3	48	400	80	80
6	TZW80-80-35	15	1450	80	35	3	48	400	80	80
7	TZW100-100-15	7.5	1450	100	15	3	60	500	100	100
8	TZW100-80-20	7.5	1450	80	20	3	60	500	100	100
9	TZW100-100-20	11	1450	100	20	3	60	500	100	100
10	TZW100-100-30	22	1450	100	30	3	60	500	100	100
11	TZW125-120-20	15	1450	120	20	3	75	625	125	125
12	TZW125-150-18	15	1450	150	18	3	75	625	125	125
13	TZW125-180-14	15	1450	180	14	3	75	625	125	125
14	TZW125-200-15	15	1450	200	15	3	75	625	125	125
15	TZW150-180-14	15	1450	180	14	3	90	750	150	150
16	TZW150-180-20	22	1450	180	20	3	90	750	150	150
17	TZW150-200-15	22	1450	200	15	3	90	750	150	150
18	TZW150-200-20	22	1450	200	20	3	90	750	150	150
19	TZW150-200-25	30	1450	200	25	3	90	750	150	150
20	TZW150-200-28	30	1450	200	28	3	90	750	150	150
21	TZW150-180-30	37	1450	180	30	3	90	750	150	150
22	TZW150-180-40	55	1450	180	40	3	90	750	150	150
23	TZW200-280-14	22	1450	280	14	3	120	1000	200	200
24	TZW200-280-18	37	1450	280	18	3	120	1000	200	200
25	TZW200-280-20	37	1450	280	20	3	120	1000	200	200
26	TZW200-300-18	37	1450	300	18	3	120	1000	200	200
27	TZW200-280-24	45	1450	280	24	3	120	1000	200	200
28	TZW200-300-25	45	1450	300	25	3	120	1000	200	200
29	TZW200-280-28	55	1450	280	28	3	120	1000	200	200
30	TZW250-400-22	55	1450	400	22	2.5	150	1250	250	200
31	TZW250-420-20	55	1450	420	20	2.5	150	1250	250	200
32	TZW250-800-14	55	1450	800	14	2.5	150	1250	250	200
33	TZW250-400-45	75	1450	400	45	2.5	150	1250	250	200
34	TZW300-600-20	55	1450	600	20	2.5	180	1500	300	250
35	TZW300-800-14	55	1450	800	14	2.5	180	1500	300	250
36	TZW300-800-20	75	1450	800	20	2.5	180	1500	300	250
37	TZW300-800-12	45	960	800	12	2.5	180	1500	300	250
38	TZW400-1200-15	90	960	1200	15	2.5	240	2000		



TZW-series Self-priming Sewage Pump

Single Stage Single Suction Self-priming Centrifugal Pump

OVERALL INSTALLATION DIMENSION (2900RPM)



No.	Model	Power (kw)	Speed (rpm)	Overall Dimensions (mm)													
				L	L1	L2	L3	L4	a	f	B1	B2	H	H1	H2	H3	nx d
1	TZW25-8-15	1.5	2900	850	670	135	400	135	215	510	260	310	185	295	550	20	4x16
2	TZW32-5-20	2.2	2900	850	670	135	400	135	220	525	260	310	185	295	550	20	4x16
3	TZW32-10-20	2.2	2900	850	670	135	400	135	220	525	260	310	185	295	550	20	4x16
4	TZW32-20-12	2.2	2900	850	670	135	400	135	220	525	260	310	185	295	550	20	4x16
5	TZW32-9-30	3	2900	900	710	155	400	155	230	525	270	310	205	360	590	20	4x16
6	TZW40-10-20	2.2	2900	850	670	135	400	135	220	525	260	310	185	295	550	20	4x16
7	TZW40-20-12	2.2	2900	850	670	135	400	135	220	525	260	310	185	295	550	20	4x16
8	TZW40-20-15	2.2	2900	850	670	135	400	135	220	525	260	310	185	295	550	20	4x16
9	TZW40-15-30	3	2900	900	710	155	400	155	230	525	270	310	205	360	590	20	4x16
10	TZW50-10-20	2.2	2900	850	670	135	400	135	220	525	260	310	185	295	550	20	4x16
11	TZW50-20-12	2.2	2900	850	670	135	400	135	220	525	260	310	185	295	550	20	4x16
12	TZW50-20-15	2.2	2900	850	670	135	400	135	220	525	260	310	185	295	550	20	4x16
13	TZW50-15-30	3	2900	900	710	155	400	155	235	525	270	310	205	360	590	20	4x16
14	TZW50-18-22	3	2900	900	710	155	400	155	235	525	270	310	205	360	590	20	4x16
15	TZW50-20-35	5.5	2900	1130	840	135	570	135	350	650	350	410	240	430	630	25	4x18



TZW-series Self-priming Sewage Pump

Single Stage Single Suction Self-priming Centrifugal Pump

OVERALL INSTALLATION DIMENSION (2900RPM)

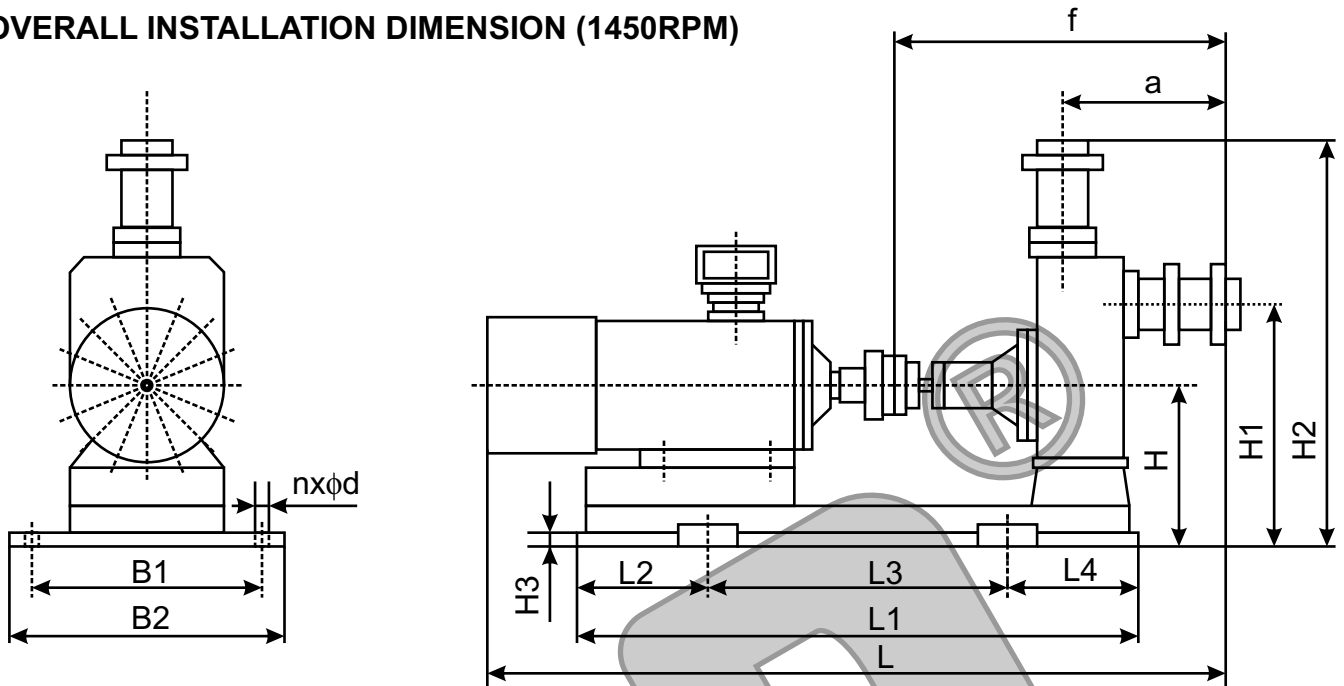
No.	Model	Power (kw)	Speed (rpm)	Overall Dimensions (mm)													
				L	L1	L2	L3	L4	a	f	B1	B2	H	H1	H2	H3	nxd
16	TZW65-20-14	2.2	2900	865	670	135	400	135	230	525	260	310	185	295	550	20	4x16
17	TZW65-15-30	3	2900	915	710	155	400	155	235	525	270	310	205	360	590	20	4x16
18	TZW65-20-30	5.5	2900	1030	770	155	460	155	240	560	330	370	240	418	680	20	4x16
19	TZW65-25-30	5.5	2900	1030	770	155	460	155	240	560	330	370	240	418	680	20	4x16
20	TZW65-25-40	7.5	2900	1030	770	155	460	155	240	560	330	370	240	418	680	20	4x18
21	TZW65-40-25	7.5	2900	1030	770	155	460	155	240	560	330	370	240	418	680	20	4x18
22	TZW65-65-25	7.5	2900	1030	770	155	460	155	240	560	330	370	240	418	680	20	4x18
23	TZW65-30-50	11	2900	1200	955	170	615	170	255	600	420	465	255	450	710	22	4x18
24	TZW80-40-16	4	2900	1100	895	160	575	160	300	650	345	400	245	455	750	20	4x18
25	TZW80-25-40	7.5	2900	1150	900	165	570	165	320	650	345	385	250	435	720	22	4x18
26	TZW80-35-28	7.5	2900	1150	900	165	570	165	320	650	345	385	250	435	720	22	4x18
27	TZW80-40-25	7.5	2900	1150	900	165	570	165	320	650	345	385	250	435	720	22	4x18
28	TZW80-65-25	7.5	2900	1150	900	165	570	165	320	650	345	385	250	435	720	22	4x18
29	TZW80-80-35	15	2900	1300	955	170	615	170	320	650	420	465	250	445	720	22	4x18
30	TZW80-40-50	18.5	2900	1350	1055	220	615	220	300	670	420	470	280	490	770	25	4x18
31	TZW80-50-60	22	2900	1380	1110	210	690	210	300	670	480	530	305	510	790	30	4x18
32	TZW80-60-70	22	2900	1380	1110	210	690	210	300	670	480	530	305	510	790	30	4x18
33	TZW80-80-45	22	2900	1380	1110	210	690	210	300	670	480	530	305	510	790	30	4x18
34	TZW100-100-30	22	2900	1440	1150	230	690	230	330	750	480	580	320	590	880	30	4x22
35	TZW100-80-45	30	2900	1440	1150	230	690	230	330	750	480	580	320	590	880	30	4x22
36	TZW100-80-60	37	2900	1450	1210	215	780	215	330	770	520	600	348	625	910	33	4x22
37	TZW100-80-80	45	2900	1640	1390	220	950	220	330	770	540	620	340	620	910	33	4x22
38	TZW150-180-38	55	2900	1842	1544	172	1200	172	411	917	600	640	360	705	915	35	4x20
39	TZW150-400-25	55	2900	1842	1544	172	1200	172	411	917	600	640	360	705	915	35	4x20



TZW-series Self-priming Sewage Pump

Single Stage Single Suction Self-priming Centrifugal Pump

OVERALL INSTALLATION DIMENSION (1450RPM)



No.	Model	Power (kw)	Speed (rpm)	Overall Dimensions (mm)													
				L	L1	L2	L3	L4	a	f	B1	B2	H	H1	H2	H3	nxφd
1	TZW65-30-18	4	1450	1100	895	160	575	160	300	650	345	400	245	455	750	20	4x16
2	TZW65-40-25	7.5	1450	1220	1030	175	680	175	330	700	415	485	315	575	850	20	4x16
3	TZW80-40-16	4	1450	1087	770	140	490	140	361	685	365	415	245	456	730	20	4x18
4	TZW80-65-20	7.5	1450	1187	920	150	620	150	268	669	450	480	300	530	740	20	4x18
5	TZW80-65-25	7.5	1450	1187	920	150	620	150	268	669	450	480	300	530	740	20	4x18
6	TZW80-80-35	15	1450	1600	1201	228	745	228	320	840	440	490	335	595	870	23	4x18
7	TZW100-100-15	7.5	1450	1265	1030	175	680	175	330	750	395	465	290	555	855	23	4x18
8	TZW100-80-20	7.5	1450	1265	1030	175	680	175	330	750	395	465	290	555	855	23	4x18
9	TZW100-100-20	11	1450	1385	1140	225	660	225	330	750	400	460	320	585	885	23	4x22
10	TZW100-100-30	22	1450	1470	1130	220	690	220	330	730	480	540	350	680	970	30	4x22
11	TZW125-120-20	15	1450	1550	1201	228	745	228	410	865	440	490	350	655	985	23	4x22
12	TZW125-150-18	15	1450	1550	1201	228	745	228	410	865	440	490	350	655	985	23	4x22
13	TZW125-180-14	15	1450	1550	1201	228	745	228	410	865	440	490	350	655	985	23	4x22
14	TZW125-200-15	15	1450	1550	1201	228	745	228	410	865	440	490	350	655	985	23	4x22
15	TZW150-180-14	15	1450	1550	1201	228	745	228	410	865	440	490	350	655	985	23	4x22



TZW-series Self-priming Sewage Pump

Single Stage Single Suction Self-priming Centrifugal Pump

OVERALL INSTALLATION DIMENSION (1450RPM)

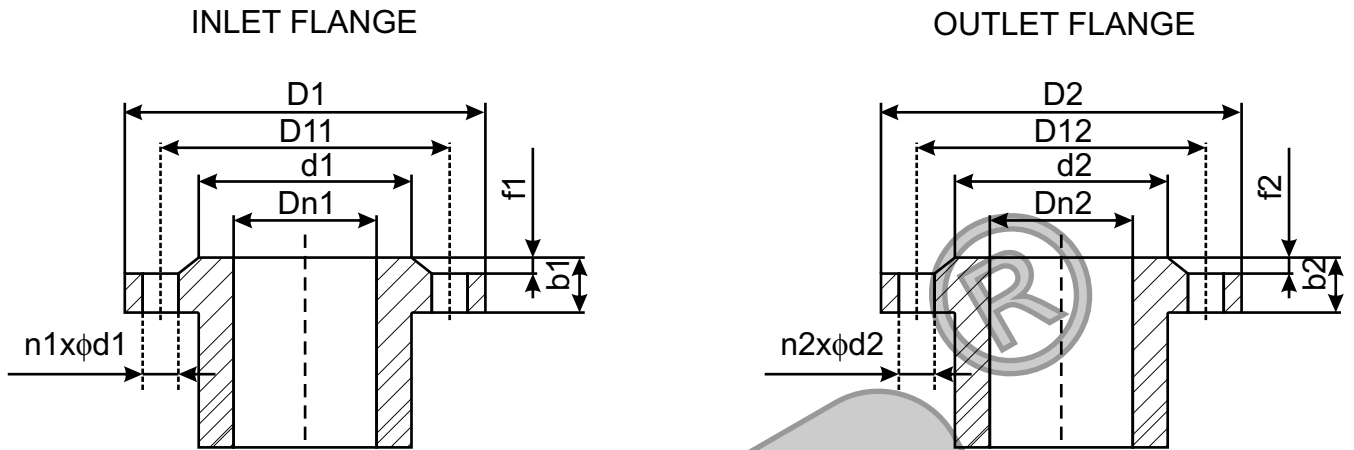
No.	Model	Power (kw)	Speed (rpm)	Overall Dimensions (mm)													
				L	L1	L2	L3	L4	a	f	B1	B2	H	H1	H2	H3	nxd
16	TZW150-180-20	22	1450	1585	1410	240	930	240	420	830	525	590	390	710	1085	35	4x22
17	TZW150-200-15	22	1450	1585	1410	240	930	240	420	830	525	590	390	710	1085	35	4x22
18	TZW150-200-20	22	1450	1585	1410	240	930	240	420	830	525	590	390	710	1085	35	4x22
19	TZW150-200-25	30	1450	1656	1280	250	780	250	356	863	560	600	350	650	910	30	4x19
20	TZW150-200-28	30	1450	1656	1280	250	780	250	356	863	560	600	350	650	910	30	4x19
21	TZW150-180-30	37	1450	1660	1410	240	930	240	420	830	525	590	375	720	1085	35	4x22
22	TZW150-180-40	55	1450	1863	1576	338	900	338	385	915	600	650	410	760	1045	30	4x23
23	TZW200-280-14	22	1450	2040	1450	260	930	260	710	1300	525	590	390	690	1120	35	4x22
24	TZW200-280-18	37	1450	2200	1450	260	930	260	720	1300	525	590	420	730	1185	30	4x22
25	TZW200-280-20	37	1450	2200	1450	260	930	260	720	1300	525	590	420	730	1185	30	4x22
26	TZW200-300-18	37	1450	2200	1450	260	930	260	720	1300	525	590	420	730	1185	30	4x22
27	TZW200-280-24	45	1450	2200	1620	260	1100	260	720	1300	620	685	420	730	1185	30	4x22
28	TZW200-300-25	45	1450	2200	1620	260	1100	260	720	1300	620	685	420	730	1185	30	4x22
29	TZW200-280-28	55	1450	2300	1600	300	1000	300	720	1350	590	670	395	705	1150	30	4x22
30	TZW250-400-22	55	1450	2180	1540	270	1000	270	800	1330	595	670	375	730	1200	30	4x22
31	TZW250-420-20	55	1450	2180	1540	270	1000	270	800	1330	595	670	375	730	1200	30	4x22
32	TZW250-800-14	55	1450	2180	1540	270	1000	270	800	1330	595	670	375	730	1200	30	4x22
33	TZW250-400-45	75	1450	2380	1994	227	1540	227	595	1381	680	730	472	899	1461	40	4x24
34	TZW300-600-20	55	1450	2580	1880	300	1280	300	1030	1500	610	665	530	900	1350	30	4x22
35	TZW300-800-14	55	1450	2580	1880	300	1280	300	1030	1500	610	665	530	900	1350	30	4x22
36	TZW300-800-20	75	1450	2320	1994	227	1540	227	595	1381	680	730	472	899	1461	40	4x24
37	TZW300-800-12	45	960	2360	1994	227	1540	227	595	1381	680	730	472	899	1461	40	4x24



TZW-series Self-priming Sewage Pump

Single Stage Single Suction Self-priming Centrifugal Pump

FLANGE INSTALLATION DIMENSION (2900RPM)



No.	Model	Power (kw)	Speed (rpm)	Inlet Flange Dimension (mm)							Outlet Flange Dimension (mm)						
				DN1	D1	D11	d1	b1	f1	n1xφd1	DN2	D2	D12	d2	b2	f2	n2xφd2
1	TZW25-8-15	1.5	2900	25	100	75	60	14	2	4x14	25	100	75	60	14	2	4x14
2	TZW32-5-20	2.2	2900	32	120	90	70	14	2	4x14	32	120	90	70	14	2	4x14
3	TZW32-10-20	2.2	2900	32	120	90	70	14	2	4x14	32	120	90	70	14	2	4x14
4	TZW32-20-12	2.2	2900	32	120	90	70	14	2	4x14	32	120	90	70	14	2	4x14
5	TZW32-9-30	3	2900	32	120	90	70	14	2	4x14	32	120	90	70	14	2	4x14
6	TZW40-10-20	2.2	2900	40	130	100	80	14	2	4x14	40	130	100	80	14	2	4x14
7	TZW40-20-12	2.2	2900	40	130	100	80	14	2	4x14	40	130	100	80	14	2	4x14
8	TZW40-20-15	2.2	2900	40	130	100	80	14	2	4x14	40	130	100	80	14	2	4x14
9	TZW40-15-30	3	2900	40	130	100	80	14	2	4x14	40	130	100	80	14	2	4x14
10	TZW50-10-20	2.2	2900	50	140	110	90	14	2	4x14	50	140	110	90	14	2	4x14
11	TZW50-20-12	2.2	2900	50	140	110	90	14	2	4x14	50	140	110	90	14	2	4x14
12	TZW50-20-15	2.2	2900	50	140	110	90	14	2	4x14	50	140	110	90	14	2	4x14
13	TZW50-15-30	3	2900	50	140	110	90	14	2	4x14	50	140	110	90	14	2	4x14
14	TZW50-18-22	3	2900	50	140	110	90	14	2	4x14	50	140	110	90	14	2	4x14
15	TZW50-20-35	5.5	2900	50	140	110	90	14	2	4x14	50	140	110	90	14	2	4x14



TZW-series Self-priming Sewage Pump

Single Stage Single Suction Self-priming Centrifugal Pump

FLANGE INSTALLATION DIMENSION (2900RPM)

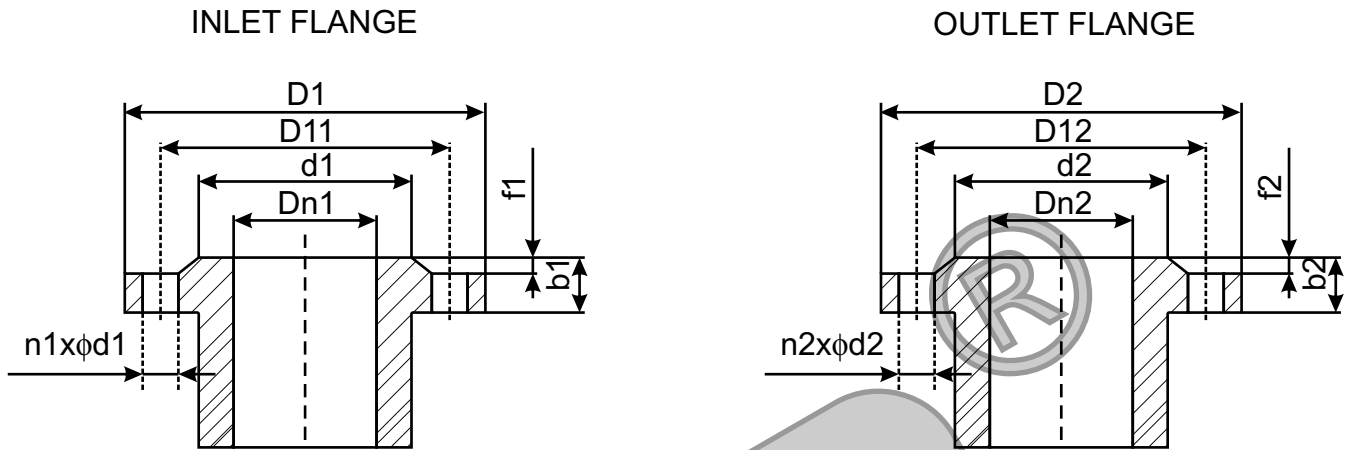
No.	Model	Power (kw)	Speed (rpm)	Inlet Flange Dimension (mm)							Outlet Flange Dimension (mm)						
				DN1	D1	D11	d1	b1	f1	n1xφd1	DN2	D2	D12	d2	b2	f2	n2xφd2
16	TZW65-20-14	2.2	2900	65	160	130	110	14	2	4x14	50	140	110	90	14	2	4x14
17	TZW65-15-30	3	2900	65	160	130	110	14	2	4x14	50	140	110	90	14	2	4x14
18	TZW65-20-30	5.5	2900	65	160	130	110	14	2	4x14	65	160	130	110	14	2	4x14
19	TZW65-25-30	5.5	2900	65	160	130	110	14	2	4x14	65	160	130	110	14	2	4x14
20	TZW65-25-40	7.5	2900	65	160	130	110	14	2	4x14	65	160	130	110	14	2	4x14
21	TZW65-65-25	7.5	2900	65	160	130	110	14	2	4x14	65	160	130	110	14	2	4x14
22	TZW65-30-50	11	2900	65	160	130	110	14	2	4x14	65	160	130	110	14	2	4x14
23	TZW80-40-16	4	2900	80	190	150	125	15	2	4x18	80	190	150	125	15	2	4x18
24	TZW80-25-40	7.5	2900	80	190	150	125	15	2	4x18	80	190	150	125	15	2	4x18
25	TZW80-35-28	7.5	2900	80	190	150	125	15	2	4x18	80	190	150	125	15	2	4x18
26	TZW80-40-25	7.5	2900	80	190	150	125	15	2	4x18	80	190	150	125	15	2	4x18
27	TZW80-65-25	7.5	2900	80	190	150	125	15	2	4x18	80	190	150	125	15	2	4x18
28	TZW80-80-35	15	2900	80	190	150	125	15	2	4x18	80	190	150	125	15	2	4x18
29	TZW80-40-50	18.5	2900	80	190	150	125	15	2	4x18	80	190	150	125	15	2	4x18
30	TZW80-50-60	22	2900	80	190	150	125	15	2	4x18	80	190	150	125	15	2	4x18
31	TZW80-60-70	22	2900	80	190	150	125	15	2	4x18	80	190	150	125	15	2	4x18
32	TZW80-80-45	22	2900	80	190	150	125	15	2	4x18	80	190	150	125	15	2	4x18
33	TZW100-100-30	22	2900	100	210	170	145	15	3	4x18	100	210	170	145	15	3	4x18
34	TZW100-80-45	30	2900	100	210	170	145	15	3	4x18	100	210	170	145	15	3	4x18
35	TZW100-80-60	37	2900	100	210	170	145	15	3	4x18	100	210	170	145	15	3	4x18
36	TZW100-80-80	45	2900	100	210	170	145	15	3	4x18	100	210	170	145	15	3	4x18
37	TZW150-250-25	45	2900	150	265	225	200	20	3	8x18	150	265	225	200	20	3	8x18
38	TZW150-180-38	55	2900	150	265	225	200	20	3	8x18	150	265	225	200	20	3	8x18
39	TZW150-400-25	55	2900	150	265	225	200	20	3	8x18	150	265	225	200	20	3	8x18



TZW-series Self-priming Sewage Pump

Single Stage Single Suction Self-priming Centrifugal Pump

FLANGE INSTALLATION DIMENSION (1450RPM)



No.	Model	Power (kw)	Speed (rpm)	Inlet Flange Dimension (mm)							Outlet Flange Dimension (mm)						
				DN1	D1	D11	d1	b1	f1	n1xφd1	DN2	D2	D12	d2	b2	f2	n2xφd2
1	TZW65-30-18	4	1450	65	160	130	110	14	2	4x14	65	160	130	110	14	2	4x14
2	TZW65-40-25	7.5	1450	65	160	130	110	14	2	4x14	65	160	130	110	14	2	4x14
3	TZW80-40-16	4	1450	80	190	150	125	15	2	4x18	80	190	150	125	15	2	4x18
4	TZW80-65-20	7.5	1450	80	190	150	125	15	2	4x18	80	190	150	125	15	2	4x18
5	TZW80-65-25	7.5	1450	80	190	150	125	15	2	4x18	80	190	150	125	15	2	4x18
6	TZW80-80-35	15	1450	80	190	150	125	15	2	4x18	80	190	150	125	15	2	4x18
7	TZW100-100-15	7.5	1450	100	210	170	145	15	3	4x18	100	210	170	145	15	3	4x18
8	TZW100-80-20	7.5	1450	100	210	170	145	15	3	4x18	100	210	170	145	15	3	4x18
9	TZW100-100-20	11	1450	100	210	170	145	15	3	4x18	100	210	170	145	15	3	4x18
10	TZW100-100-30	22	1450	100	210	170	145	15	3	4x18	100	210	170	145	15	3	4x18
11	TZW125-120-20	15	1450	125	240	200	175	20	3	8x18	125	240	200	175	20	3	8x18
12	TZW125-150-18	15	1450	125	240	200	175	20	3	8x18	125	240	200	175	20	3	8x18
13	TZW125-180-14	15	1450	125	240	200	175	20	3	8x18	125	240	200	175	20	3	8x18
14	TZW125-200-15	15	1450	125	240	200	175	20	3	8x18	125	240	200	175	20	3	8x18
15	TZW150-180-14	15	1450	150	265	225	200	20	3	8x18	150	265	225	200	20	3	8x18



TZW-series Self-priming Sewage Pump

Single Stage Single Suction Self-priming Centrifugal Pump

FLANGE INSTALLATION DIMENSION (1450RPM)

No.	Model	Power (kw)	Speed (rpm)	Inlet Flange Dimension (mm)							Outlet Flange Dimension (mm)						
				DN1	D1	D11	d1	b1	f1	n1xφd1	DN2	D2	D12	d2	b2	f2	n2xφd2
16	TZW150-180-20	22	1450	150	265	225	200	20	3	8x18	150	265	225	200	20	3	8x18
17	TZW150-200-15	22	1450	150	265	225	200	20	3	8x18	150	265	225	200	20	3	8x18
18	TZW150-200-20	22	1450	150	265	225	200	20	3	8x18	150	265	225	200	20	3	8x18
19	TZW150-200-25	30	1450	150	265	225	200	20	3	8x18	150	265	225	200	20	3	8x18
20	TZW150-200-28	30	1450	150	265	225	200	20	3	8x18	150	265	225	200	20	3	8x18
21	TZW150-180-30	37	1450	150	265	225	200	20	3	8x18	150	265	225	200	20	3	8x18
22	TZW150-180-40	55	1450	150	265	225	200	20	3	8x18	150	265	225	200	20	3	8x18
23	TZW200-280-14	22	1450	200	320	280	255	22	3	8x18	200	320	280	255	22	3	8x18
24	TZW200-280-18	37	1450	200	320	280	255	22	3	8x18	200	320	280	255	22	3	8x18
25	TZW200-280-20	37	1450	200	320	280	255	22	3	8x18	200	320	280	255	22	3	8x18
26	TZW200-300-18	37	1450	200	320	280	255	22	3	8x18	200	320	280	255	22	3	8x18
27	TZW200-280-24	45	1450	200	320	280	255	22	3	8x18	200	320	280	255	22	3	8x18
28	TZW200-300-25	45	1450	200	320	280	255	22	3	8x18	200	320	280	255	22	3	8x18
29	TZW200-280-28	55	1450	200	320	280	255	22	3	8x18	200	320	280	255	22	3	8x18
30	TZW250-400-22	55	1450	250	375	335	310	24	3	12x18	200	320	280	255	22	3	8x18
31	TZW250-420-20	55	1450	250	375	335	310	24	3	12x18	200	320	280	255	22	3	8x18
32	TZW250-800-14	55	1450	250	375	335	310	24	3	12x18	200	320	280	255	22	3	8x18
33	TZW250-400-45	75	1450	250	375	335	310	24	3	12x18	200	320	280	255	22	3	8x18
34	TZW300-600-20	55	1450	300	435	395	362	24	4	12x23	250	375	335	310	24	3	12x18
35	TZW300-800-14	55	1450	300	435	395	362	24	4	12x23	250	375	335	310	24	3	12x18
36	TZW300-800-20	75	1450	300	435	395	362	24	4	12x23	250	375	335	310	24	3	12x18
37	TZW300-800-12	45	960	300	435	395	362	24	4	12x23	250	375	335	310	24	3	12x18