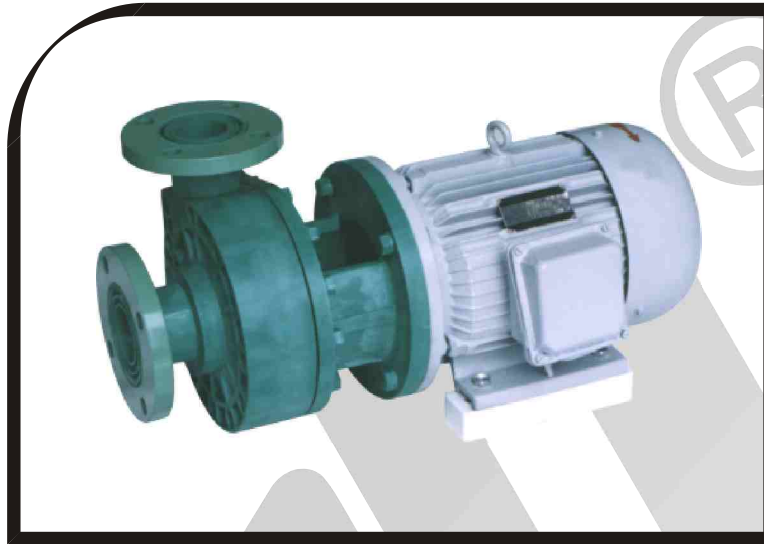




Chemical Corrosive-Resistant Self Priming Centrifugal Pump PPD Series



PPD SERIES ~ Centrifugal End Suction Monobloc

- * Material: CFR-PP (Reinforced Polypropylene)
- * High intensity & chemical corrosive-resistant
- * Suitable for various corrosive chemical material such as acid, alkali.
- * Capacity: 2.5m³/h~25m³/h
- * Head: 6.5m~25m
- * Fluid Temperature: -14°C ~ +80°C
- * Application: chemical, food, pharmaceutical, paper making, environmental control, water treatment, etc.

SPECIFICATIONS DATA

Model	Capacity	Head	Speed	Power	Inlet		Outlet	
	m ³ /h	m	rpm	kw	mm	inch	mm	inch
PPD 20-20-105	2.5	6.5	2900	0.37	20	3/4	20	3/4
PPD 32-25-104	4	7	2900	0.55	32	1-1/4	25	1
PPD 32-25-105	6.3	8	2900	0.75	32	1-1/4	25	1
PPD 40-32-125	12.5	20	2900	1.5	40	1-1/2	32	1-1/4
PPD 50-40-150	20	25	2900	2.2	50	2	40	1-1/2
PPD 65-50-150	25	25	2900	4	65	2-1/2	50	2

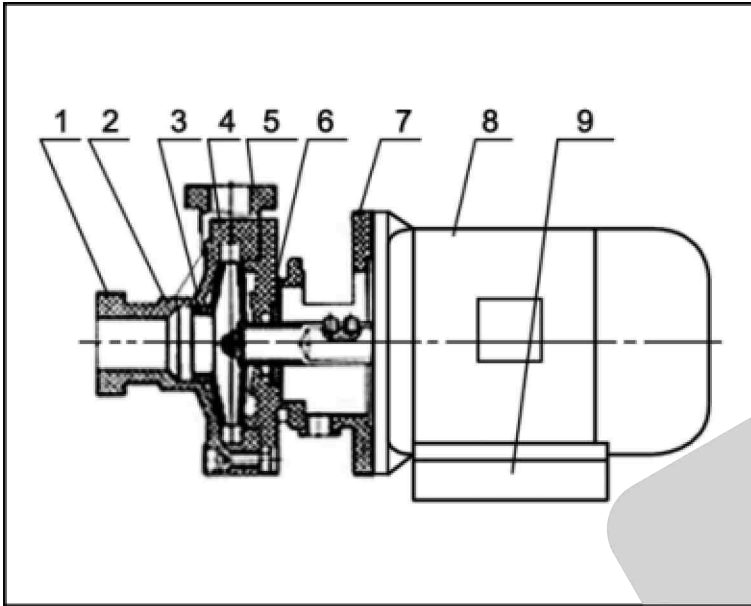


THONG FATT JAYA MACHINERY HARDWARE SDN. BHD.

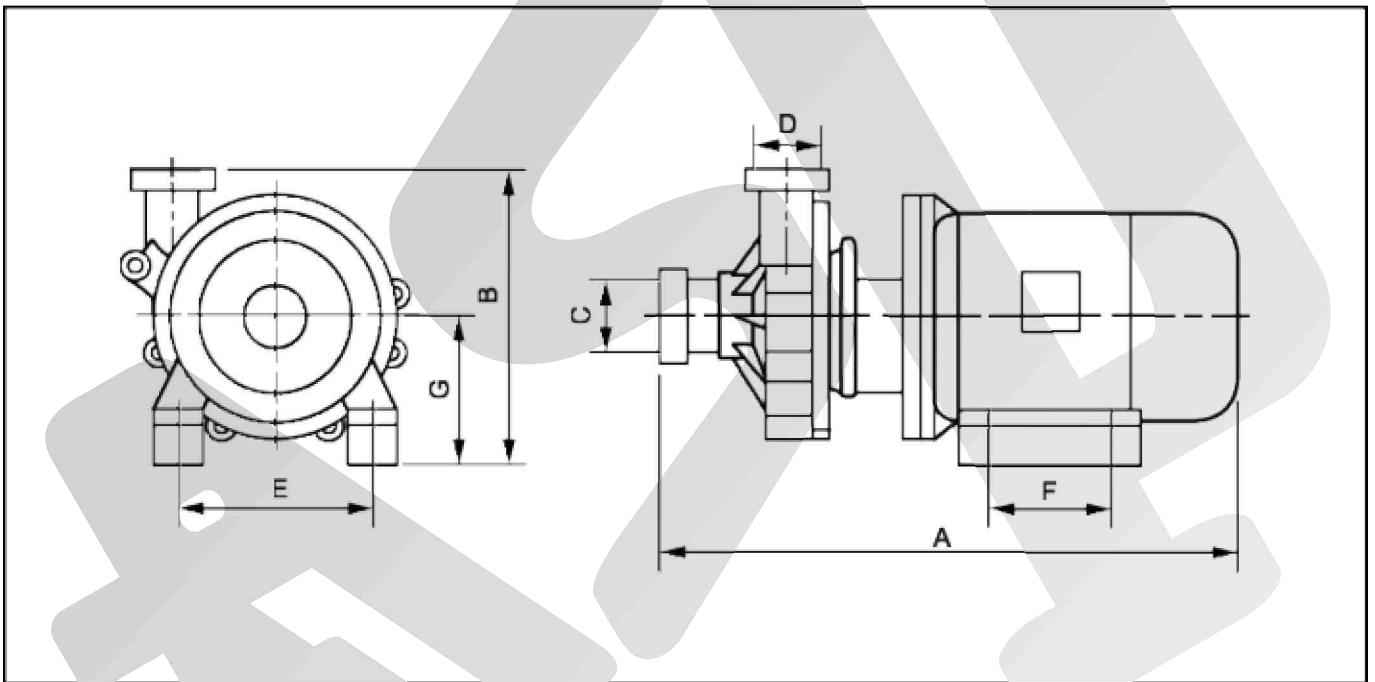
同發機械五金有限公司 (176024-V)

707-709, Jalan Kuala Kangsar, Taman Tasek Jaya,
31400 Ipoh, Perak. Malaysia.
Tel: 00-605-5468 659, 5455 751, 5479 196, 5454 107
Fax: 00-605-5482 282, 5474 753
Email: tfjaya@streamyx.com / tfjaya@tm.net.my
Website: <http://www.thongfattjaya.com.my>

STRUCTURE & INSTALLATION DIMENSIONS



- 1. Inlet Flange-----CFR-PP
- 2. Front Pump Cover--- CFR-PP
- 3. Impeller-----CFR-PP
Shaft----- Stainless Steel 1Cr18Ni9Ti
- 4. Pump Body-----CFR-PP
- 5. Outlet Flange-----CFR-PP
- 6. Mechanical Seal----- WB₂A-35
- 7. Rear Pump Cover----CFR-PP
- 8. Motor
- 9. Base-----Cast Iron



Model	Overall Dimensions (mm)						
	A	B	C	D	E	F	G
PPD 20-20-105	470	270	25	20	125	100	150
PPD 32-25-104	365	198	40	32	125	100	95
PPD 32-25-105	365	198	40	32	108	90	95
PPD 40-32-125	465	205	50	40	140	100	120
PPD 50-40-150	550	290	50	40	140	125	130
PPD 65-50-150	610	275	75	63	190	140	152